



SYNSEMI SEMICONDUCTOR

FR101SG thru FR107SG

1.0 Amp. Glass Passivated Fast Recovery Rectifiers
Voltage Range 50 to 1000 Volts Forward Current 1.0 Ampere

Features

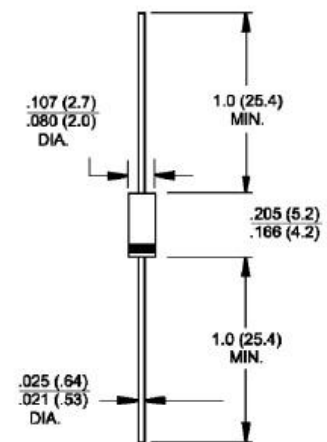
- ◆ Low forward voltage drop
- ◆ High current capability
- ◆ High reliability
- ◆ High surge current capability



A-405

Mechanical Data

- ◆ Case: Molded plastic A-405
- ◆ Epoxy: UL 94V-0 rate flame retardant
- ◆ Lead: Axial leads, solderable per MIL-STD-202, Method 208 guaranteed
- ◆ Polarity: Color band denotes cathode end
- ◆ High temperature soldering guaranteed:
250°C/10 seconds .375" (9.5mm) lead lengths at 5 lbs., (2.3kg) tension
- ◆ Mounting position: Any
- ◆ Weight: 0.008 ounce, 0.235 gram



Dimensions in inches and (millimeters)

Maximum Ratings and Electrical Characteristics

Ratings at 25°C ambient temperature unless otherwise specified.

Single phase, half wave, 60Hz, resistive or inductive load.

For capacitive load, derate current by 20%

Parameter	Symbols	FR 101SG	FR 102SG	FR 103SG	FR 104SG	FR 105SG	FR 106SG	FR 107SG	Units
Maximum repetitive peak reverse voltage	V_{RRM}	50	100	200	400	600	800	1000	Volts
Maximum RMS voltage	V_{RMS}	35	70	140	280	420	560	700	Volts
Maximum DC blocking voltage	V_{DC}	50	100	200	400	600	800	1000	Volts
Maximum average forward rectified current 0.375" (9.5mm) lead length at $T_a=55^\circ\text{C}$	$I_{(AV)}$	1.0							Amp
Peak forward surge current, 8.3 ms single half sine-wave superimposed on rated load (JEDEC Method)	I_{FSM}	30.0							Amps
Maximum instantaneous forward voltage @ 1.0A	V_F	1.3							Volts
Maximum DC reverse current @ $T_a=25^\circ\text{C}$ at rated DC blocking voltage @ $T_a=125^\circ\text{C}$	I_R	5.0 100							μA
Maximum reverse recovery time (Note 1)	t_r	150			250		500		nS
Typical junction capacitance (Note 2)	C_j	12							pF
Operating temperature range	T_j	-65 to +150							$^\circ\text{C}$
Storage temperature range	T_{STG}	-65 to +150							$^\circ\text{C}$

- Notes:**
1. Reverse Recovery Test Conditions: $I_F=0.5\text{A}$, $I_R=1.0\text{A}$, $I_{RR}=0.25\text{A}$
 2. Measured at 1 MHz and Applied Reverse Voltage of 4.0 V D.C.

FR101SG thru FR107SG

RATINGS AND CHARACTERISTIC CURVES

FIG.1- REVERSE RECOVERY TIME CHARACTERISTIC AND TEST CIRCUIT DIAGRAM

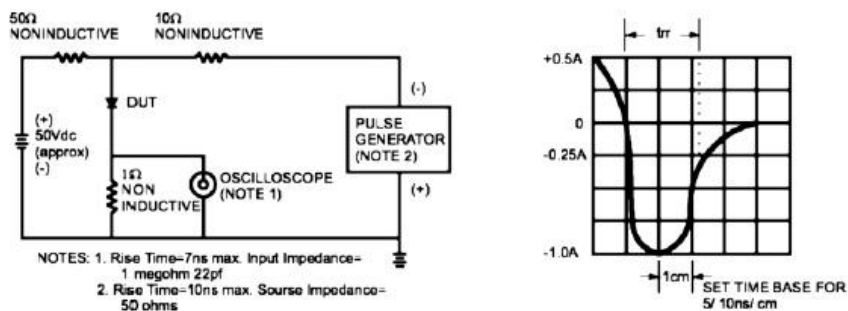


FIG.2- MAXIMUM FORWARD CURRENT DERATING CURVE

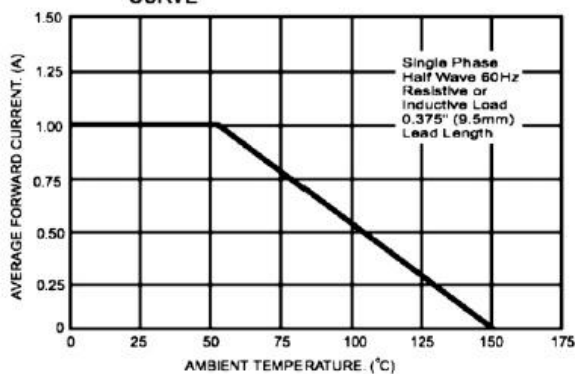


FIG.3- MAXIMUM NON-REPETITIVE FORWARD SURGE CURRENT

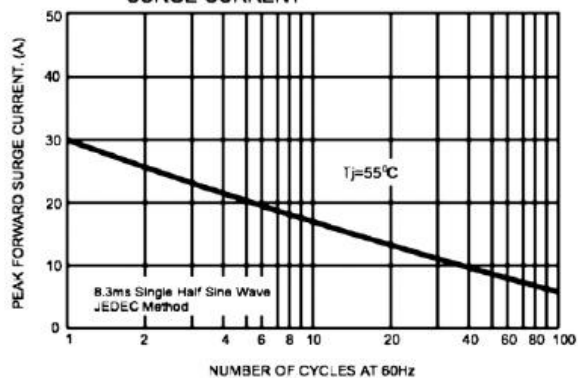


FIG.4- TYPICAL JUNCTION CAPACITANCE

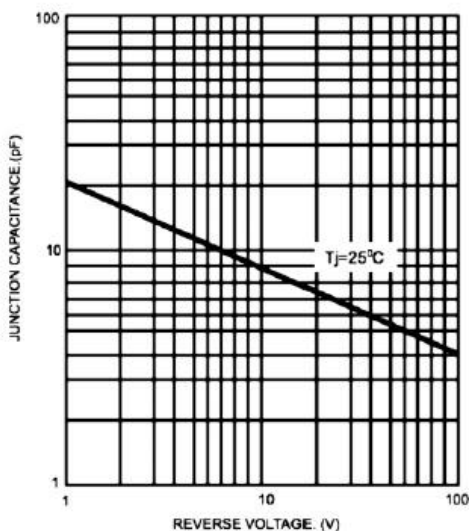


FIG.5- TYPICAL FORWARD CHARACTERISTICS

