

LM111, LM211, LM311, LM311Y DIFFERENTIAL COMPARATORS WITH STROBES

SLCS007A – SEPTEMBER 1973 – REVISED FEBRUARY 1992

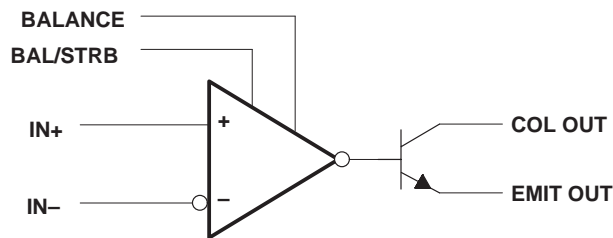
- **Fast Response Times**
- **Strobe Capability**
- **Maximum Input Bias Current . . . 300 nA**
- **Maximum Input Offset Current . . . 70 nA**
- **Can Operate From Single 5-V Supply**
- **Designed to Be Interchangeable With National Semiconductor LM111, LM211, and LM311**

description

The LM111, LM211, and LM311 are single high-speed voltage comparators. These devices are designed to operate from a wide range of power supply voltages, including ± 15 -V supplies for operational amplifiers and 5-V supplies for logic systems. The output levels are compatible with most TTL and MOS circuits. These comparators are capable of driving lamps or relays and switching voltages up to 50 V at 50 mA. All inputs and outputs can be isolated from system ground. The outputs can drive loads referenced to ground, V_{CC+} or V_{CC-} . Offset balancing and strobe capabilities are available, and the outputs can be wire-OR connected. If the strobe is low, the output will be in the off state regardless of the differential input.

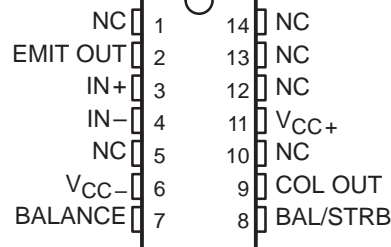
The LM111 is characterized for operation over the full military range of -55°C to 125°C . The LM211 is characterized for operation from -40°C to 85°C , and the LM311 is characterized for operation from 0°C to 70°C .

functional block diagram



LM111 . . . J PACKAGE

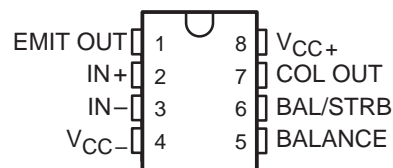
(TOP VIEW)



LM111 . . . JG PACKAGE

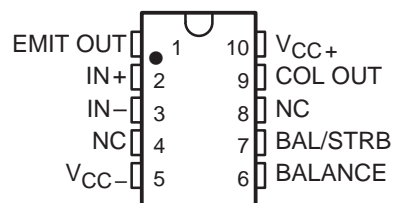
LM211, LM311 . . . D, DB, P, OR PW PACKAGE

(TOP VIEW)



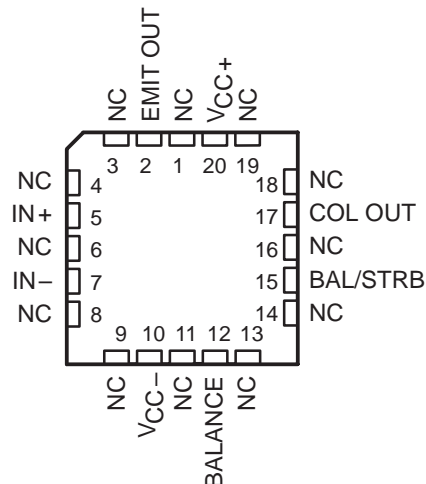
LM111 . . . U PACKAGE

(TOP VIEW)



LM111 . . . FK PACKAGE

(TOP VIEW)



LM111, LM211, LM311, LM311Y DIFFERENTIAL COMPARATORS WITH STROBES

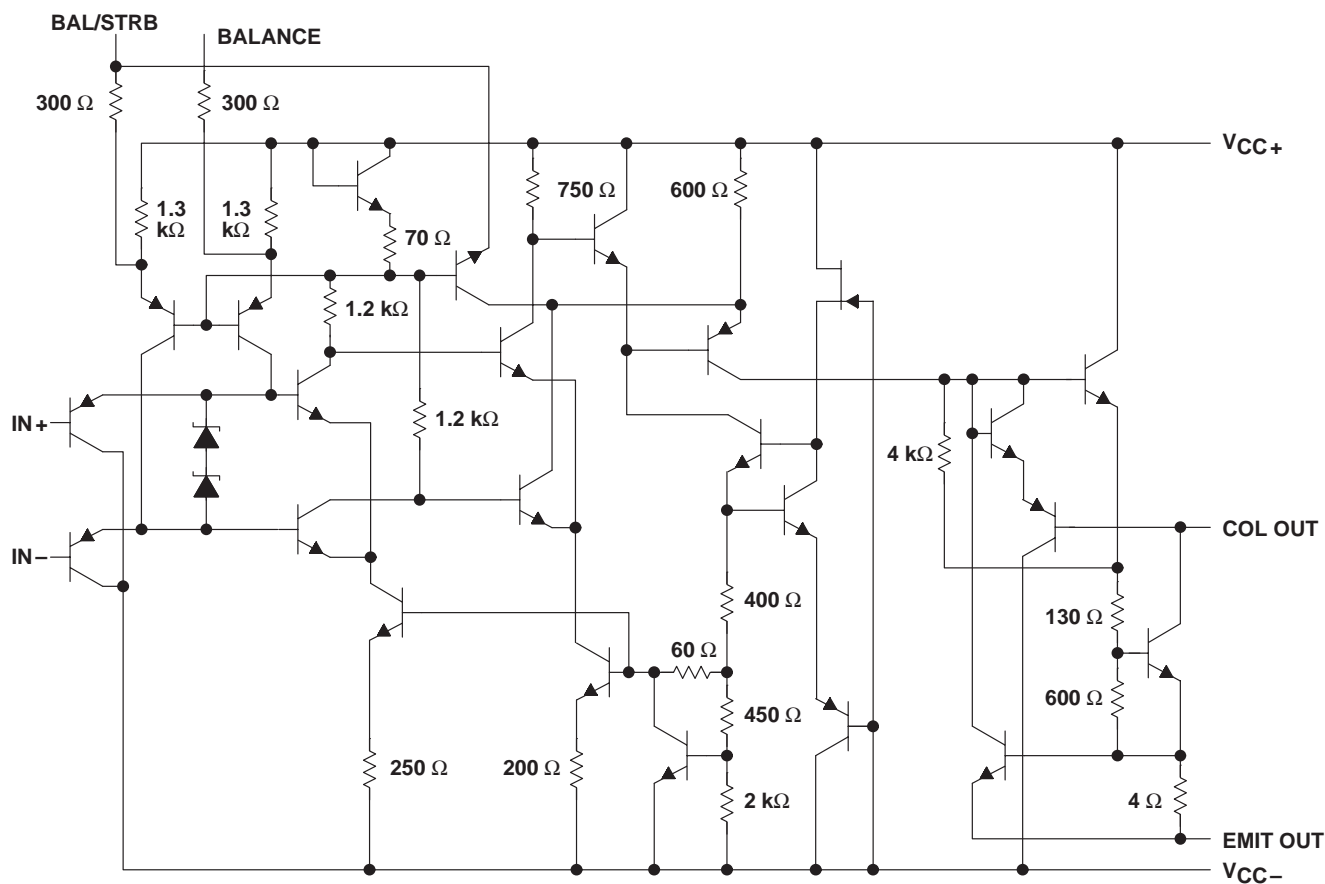
SLCS007A – SEPTEMBER 1973 – REVISED FEBRUARY 1992

AVAILABLE OPTIONS

T _A	V _{IO} max at 25°C	PACKAGED DEVICES								CHIP FORM (Y)
		SMALL OUTLINE (D)†	SSOP (DB)	CHIP CARRIER (FK)	CERAMIC DIP (J)	CERAMIC DIP (JG)	PLASTIC DIP (P)	TSSOP (PW)	FLATPACK (U)	
0°C to 70°C	7.5 mV	LM311D	LM311DBLE				LM311P	LM311PWLE		LM311Y
-40°C to 85°C	3 mV	LM211D					LM211P			
-55°C to 125°C	3 mV			LM111FK	LM111J	LM111JG			LM111U	

† The D package is available taped and reeled. Add the suffix R (e.g., LM311DR). The DB and PW packages are only available left-end taped and reeled.

schematic



Component Count	
Resistors	20
Diodes	2
Epifet	1
Transistors	22

All resistor values shown are nominal.



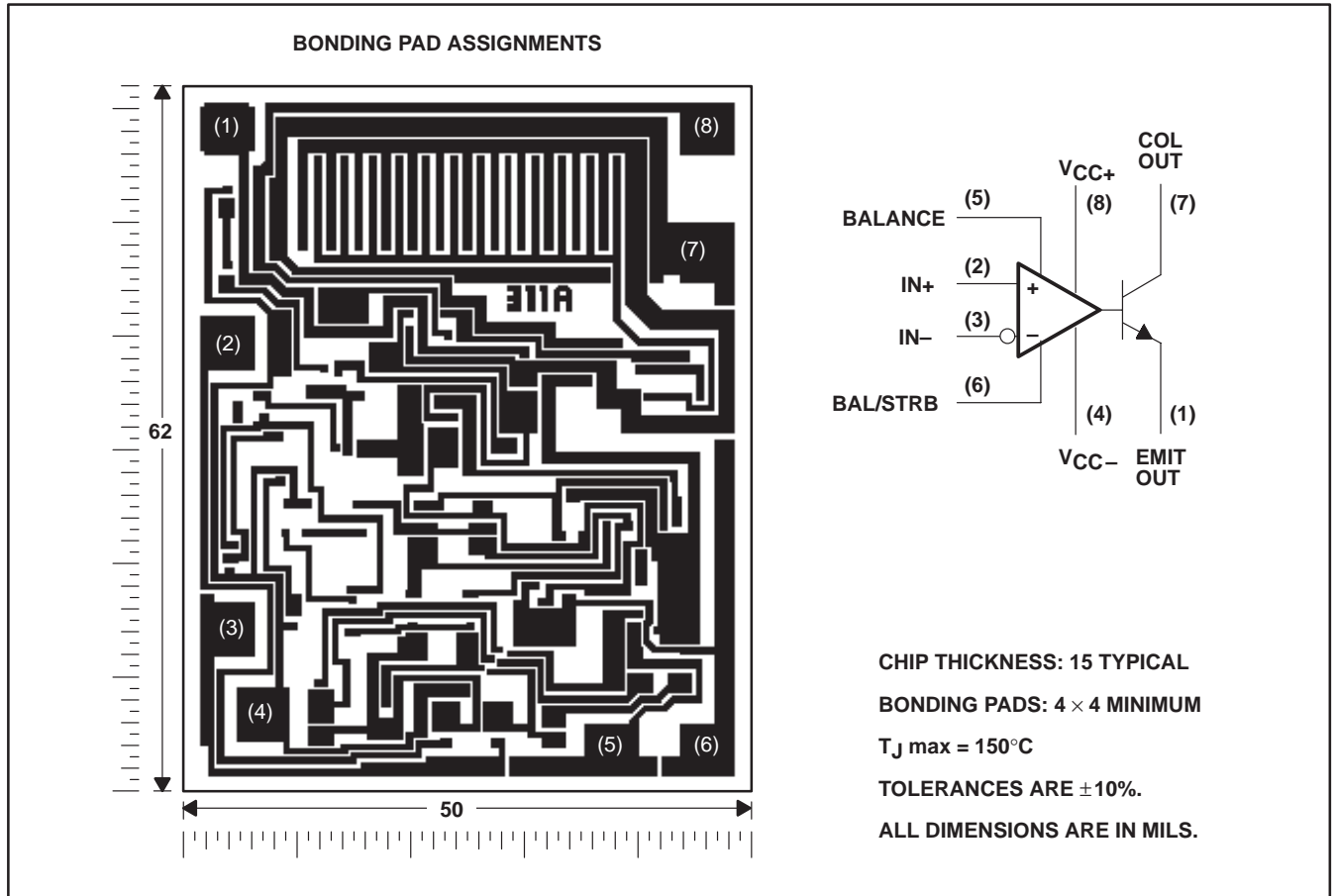
POST OFFICE BOX 655303 • DALLAS, TEXAS 75265

LM111, LM211, LM311, LM311Y DIFFERENTIAL COMPARATORS WITH STROBES

SLCS007A – SEPTEMBER 1973 – REVISED FEBRUARY 1992

LM311Y chip information

This chip, when properly assembled, displays characteristics similar to the LM311. Thermal compression or ultrasonic bonding may be used on the doped-aluminum bonding pads. Chips may be mounted with conductive epoxy or a gold-silicon preform.



LM111, LM211, LM311, LM311Y DIFFERENTIAL COMPARATORS WITH STROBES

SLCS007A – SEPTEMBER 1973 – REVISED FEBRUARY 1992

absolute maximum ratings over operating free-air temperature range (unless otherwise noted)†

Supply voltage, V_{CC+} (see Note 1)	18 V
Supply voltage, V_{CC-} (see Note 1)	-18 V
Supply voltage, $V_{CC+} - V_{CC-}$	36 V
Differential input voltage, V_{ID} (see Note 2)	± 30 V
Input voltage, V_I (either input, see Notes 1 and 3)	± 15 V
Voltage from emitter output to V_{CC-}	30 V
Voltage from collector output to V_{CC-} :	
LM111	50 V
LM211	50 V
LM311	40 V
Duration of output short circuit (see Note 4)	10 s
Continuous total dissipation	See Dissipation Rating Table
Operating free-air temperature range, T_A :	
LM111	-55°C to 125°C
LM211	-40°C to 85°C
LM311	0°C to 70°C
Storage temperature range	-65°C to 150°C
Case temperature for 60 seconds: FK package	260°C
Lead temperature 1,6 mm (1/16 inch) from case for 10 seconds: J, JG, or U package	300°C
Lead temperature 1,6 mm (1/16 inch) from case for 60 seconds: D, DB, P, or PW package	260°C

† Stresses beyond those listed under "absolute maximum ratings" may cause permanent damage to the device. These are stress ratings only, and functional operation of the device at these or any other conditions beyond those indicated under "recommended operating conditions" is not implied. Exposure to absolute-maximum-rated conditions for extended periods may affect device reliability.

- NOTES:
1. All voltage values, unless otherwise noted, are with respect to the midpoint between V_{CC+} and V_{CC-} .
 2. Differential voltages are at $IN+$ with respect to $IN-$.
 3. The magnitude of the input voltage must never exceed the magnitude of the supply voltage or ± 15 V, whichever is less.
 4. The output may be shorted to ground or either power supply.

DISSIPATION RATING TABLE

PACKAGE	$T_A \leq 25^\circ\text{C}$ POWER RATING	DERATING FACTOR	DERATE ABOVE T_A	$T_A = 70^\circ\text{C}$ POWER RATING	$T_A = 85^\circ\text{C}$ POWER RATING	$T_A = 125^\circ\text{C}$ POWER RATING
D	500 mW	5.8 mW/°C	64°C	464 mW	377 mW	–
DB or PW	500 mW	4.2 mW/°C	31°C	336 mW	–	–
FK	500 mW	11.0 mW/°C	105°C	500 mW	500 mW	275 mW
J	500 mW	11.0 mW/°C	105°C	500 mW	500 mW	275 mW
JG	500 mW	8.4 mW/°C	90°C	500 mW	500 mW	210 mW
P	500 mW	8.0 mW/°C	88°C	500 mW	500 mW	–
U	500 mW	5.4 mW/°C	57°C	432 mW	351 mW	135 mW

recommended operating conditions

	MIN	MAX	UNIT
Supply voltage, $V_{CC+} - V_{CC-}$	3.5	30	V
Input voltage ($ V_{CC\pm} \leq 15$ V)	$V_{CC-} + 0.5$	$V_{CC+} - 1.5$	V
Operating free-air temperature range, T_A	LM111	-55	125
	LM211	-40	85
	LM311	0	70
			°C



LM111, LM211, LM311, LM311Y DIFFERENTIAL COMPARATORS WITH STROBES

SLCS007A – SEPTEMBER 1973 – REVISED FEBRUARY 1992

electrical characteristics at specified free-air temperature, $V_{CC\pm} = \pm 15\text{ V}$ (unless otherwise noted)

PARAMETER	TEST CONDITIONS	T_A †	LM111, LM211			LM311			UNIT
			MIN	TYP‡	MAX	MIN	TYP‡	MAX	
V_{IO} Input offset voltage	See Note 5	25°C	0.7	3		2	7.5	mV	
		Full range			4		10		
I_{IO} Input offset current	See Note 5	25°C	4	10		6	50	nA	
		Full range			20		70		
I_{IB} Input bias current	$V_O = 1\text{ V to } 14\text{ V}$	25°C	75	100		100	250	nA	
		Full range			150		300		
$I_{IL(S)}$ Low-level strobe current (see Note 6)	$V_{(\text{strobe})} = 0.3\text{ V}$, $V_{ID} \leq -10\text{ mV}$	25°C	-3			-3		mA	
V_{ICR} Common-mode input voltage range		Full range	13 to -14.5	13.8 to -14.7		13 to -14.5	13.8 to -14.7	V	
A_{VD} Large-signal differential voltage amplification	$V_O = 5\text{ V to } 35\text{ V}$, $R_L = 1\text{ k}\Omega$	25°C	40	200		40	200	V/mV	
I_{OH} High-level (collector) output current	$I_{(\text{strobe})} = -3\text{ mA}$, $V_{ID} = 5\text{ mV}$, $V_{OH} = 35\text{ V}$	25°C	0.2	10				nA	
		Full range			0.5			μA	
	$V_{ID} = 5\text{ mV}$, $V_{OH} = 35\text{ V}$	25°C				0.2	50	nA	
V_{OL} Low-level (collector-to-emitter) output voltage	$I_{OL} = 50\text{ mA}$	$V_{ID} = -5\text{ mV}$	25°C	0.75	1.5			V	
		$V_{ID} = -10\text{ mV}$	25°C				0.75		1.5
	$V_{CC+} = 4.5\text{ V}$, $V_{CC-} = 0$, $I_{OL} = 8\text{ mA}$	$V_{ID} = -6\text{ mV}$	Full range	0.23	0.4				
		$V_{ID} = -10\text{ mV}$	Full range				0.23		0.4
I_{CC+} Supply current from V_{CC+} , output low	$V_{ID} = -10\text{ mV}$, No load	25°C	5.1	6		5.1	7.5	mA	
I_{CC-} Supply current from V_{CC-} , output high	$V_{ID} = 10\text{ mV}$, No load	25°C	-4.1	-5		-4.1	-5	mA	

† Unless otherwise noted, all characteristics are measured with BALANCE and BAL/STRB open and the emitter output grounded.

Full range for LM111 is -55°C to 125°C , for LM211 is -40°C to 85°C , and for LM311 is 0°C to 70°C .

‡ All typical values are at $T_A = 25^\circ\text{C}$.

NOTES: 5. The offset voltages and offset currents given are the maximum values required to drive the collector output up to 14 V or down to 1 V with a pullup resistor of 7.5 k Ω to V_{CC+} . These parameters actually define an error band and take into account the worst-case effects of voltage gain and input impedance.

6. The strobe should not be shorted to ground; it should be current driven at -3 mA to -5 mA (see Figures 13 and 27).

switching characteristics, $V_{CC\pm} = \pm 15\text{ V}$, $T_A = 25^\circ\text{C}$

PARAMETER	TEST CONDITIONS	LM111, LM211, LM311			UNIT
		MIN	TYP	MAX	
Response time, low-to-high-level output	$R_C = 500\ \Omega$ to 5 V , $C_L = 5\text{ pF}$, See Note 7	115			ns
Response time, high-to-low-level output		165			ns

NOTE 7: The response time specified is for a 100-mV input step with 5-mV overdrive and is the interval between the input step function and the instant when the output crosses 1.4 V.



LM111, LM211, LM311, LM311Y DIFFERENTIAL COMPARATORS WITH STROBES

SLCS007A – SEPTEMBER 1973 – REVISED FEBRUARY 1992

electrical characteristics at $V_{CC\pm} = \pm 15\text{ V}$ (unless otherwise noted)

PARAMETER	TEST CONDITIONS†	LM311Y			UNIT
		MIN	TYP	MAX	
V_{IO} Input offset voltage	See Note 5		2	7.5	mV
I_{IO} Input offset current	See Note 5		6	50	nA
I_{IB} Input bias current	$V_O = 1\text{ V to }14\text{ V}$		100	250	nA
$I_{IL(S)}$ Low-level strobe current (see Note 6)	$V_{(\text{strobe})} = 0.3\text{ V}, V_{ID} \leq -10\text{ mV}$		-3		mA
V_{ICR} Common-mode input voltage range			13 to -14.5	13.8 to -14.7	V
A_{VD} Large-signal differential voltage amplification	$V_O = 5\text{ V to }35\text{ V}, R_L = 1\text{ k}\Omega$		40	200	V/mV
I_{OH} High-level (collector) output current	$I_{\text{strobe}} = -3\text{ mA}, V_{ID} = 5\text{ mV}, V_{OH} = 35\text{ V}$		0.2	50	nA
V_{OL} Low-level (collector-to-emitter) output voltage	$I_{OL} = 50\text{ mA}, V_{ID} = -10\text{ mV}$		0.75	1.5	V
I_{CC+} Supply current from V_{CC+} , output low	$V_{ID} = -10\text{ mV}, \text{ No load}$		5.1	7.5	mA
I_{CC-} Supply current from V_{CC-} , output low	$V_{ID} = 10\text{ mV}, \text{ No load}$		-4.1	-5	mA

† Unless otherwise noted, all characteristics are measured with BALANCE and BAL/STRB open and the emitter output grounded.

NOTES: 5. The offset voltages and offset currents given are the maximum values required to drive the collector output up to 14 V or down to 1 V with a pullup resistor of 7.5 k Ω to V_{CC+} . These parameters actually define an error band and take into account the worst-case effects of voltage gain and input impedance.

6. The strobe should not be shorted to ground; it should be current driven at -3 mA to -5 mA (see Figures 13 and 27).

switching characteristics, $V_{CC\pm} = \pm 15\text{ V}, T_A = 25^\circ\text{C}$

PARAMETER	TEST CONDITIONS	LM311Y			UNIT
		MIN	TYP	MAX	
Response time, low-to-high-level output	$R_C = 500\ \Omega \text{ to } 5\text{ V}, C_L = 5\text{ pF}, \text{ See Note 7}$		115		ns
Response time, high-to-low-level output			165		ns

NOTE 7: The response time specified is for a 100-mV input step with 5-mV overdrive and is the interval between the input step function and the instant when the output crosses 1.4 V.



LM111, LM211, LM311, LM311Y DIFFERENTIAL COMPARATORS WITH STROBES

SLCS007A – SEPTEMBER 1973 – REVISED FEBRUARY 1992

TYPICAL CHARACTERISTICS†

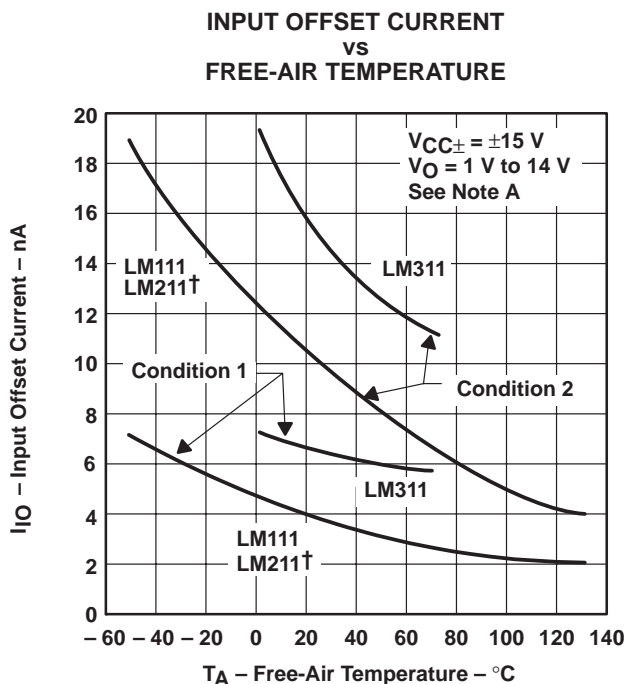


Figure 1

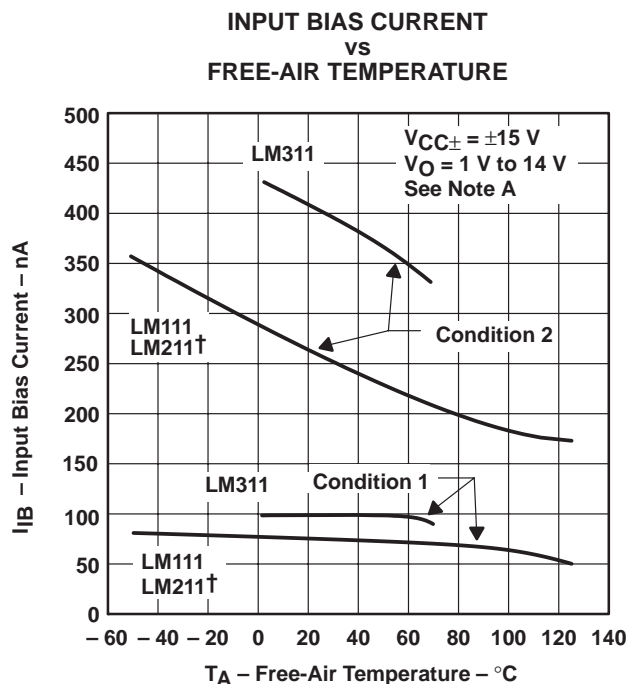


Figure 2

NOTE A: Condition 1 is with BALANCE and BAL/STRB open. Condition 2 is with BALANCE and BAL/STRB connected to V_{CC+} .

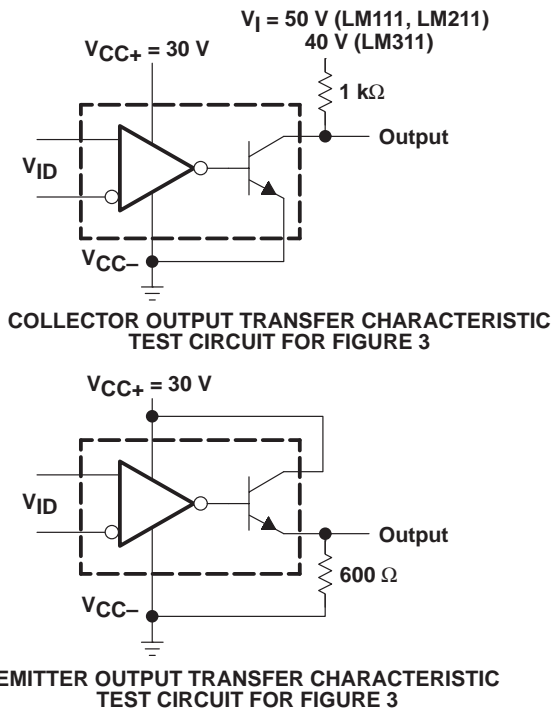
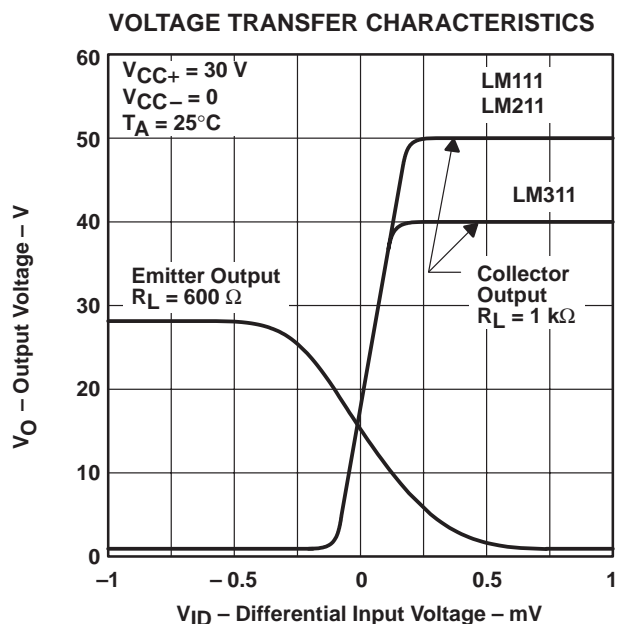


Figure 3

† Data at high and low temperatures are applicable only within the rated operating free-air temperature ranges of the various devices.

LM111, LM211, LM311, LM311Y DIFFERENTIAL COMPARATORS WITH STROBES

SLCS007A – SEPTEMBER 1973 – REVISED FEBRUARY 1992

TYPICAL CHARACTERISTICS

OUTPUT RESPONSE FOR
VARIOUS INPUT OVERDRIVES

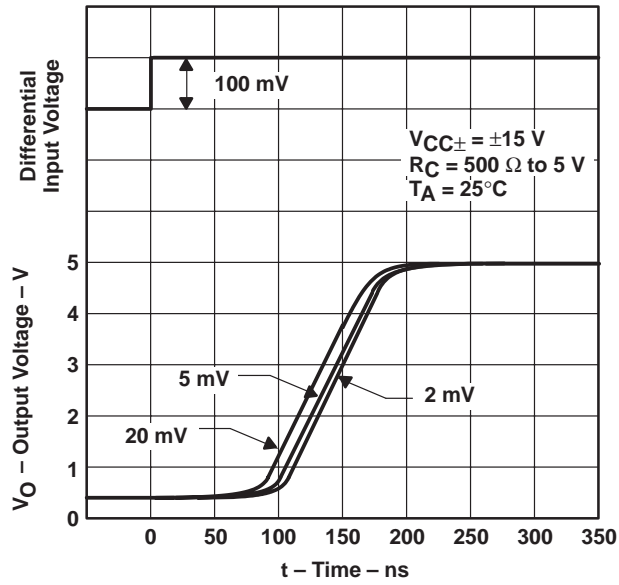


Figure 4

OUTPUT RESPONSE FOR
VARIOUS INPUT OVERDRIVES

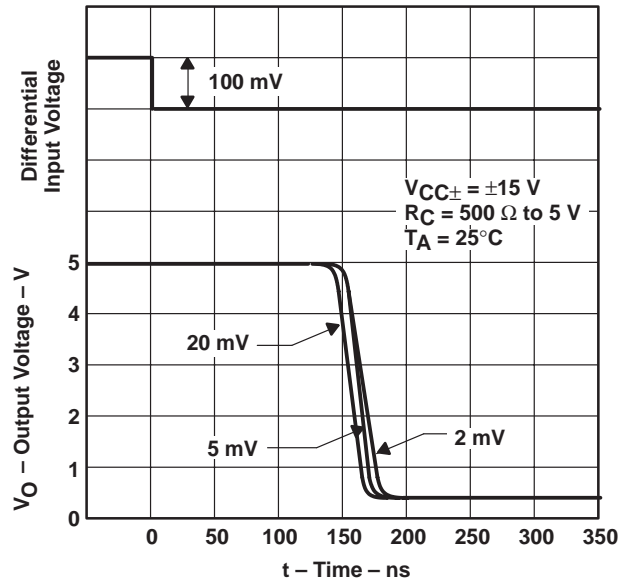
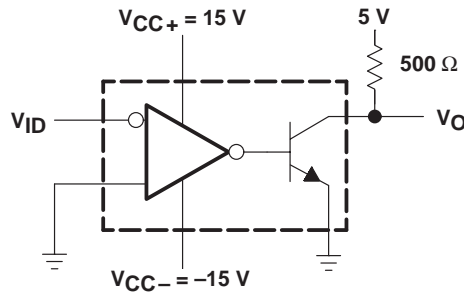


Figure 5



TEST CIRCUIT FOR FIGURES 4 AND 5

TYPICAL CHARACTERISTICS

OUTPUT RESPONSE FOR VARIOUS INPUT OVERDRIVES

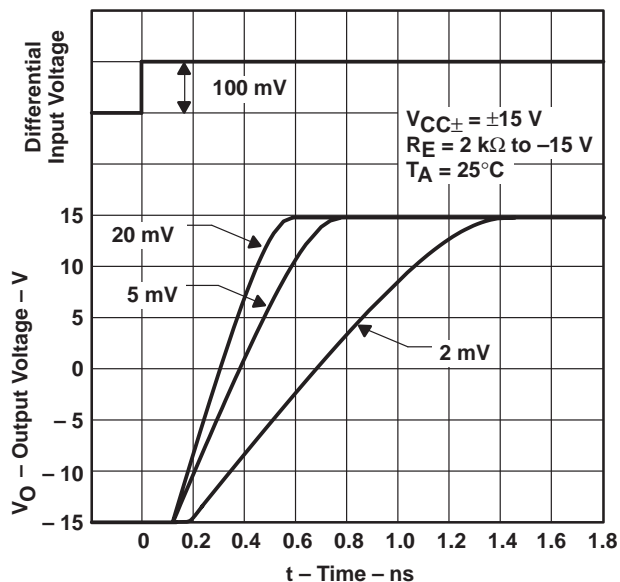


Figure 6

OUTPUT RESPONSE FOR VARIOUS INPUT OVERDRIVES

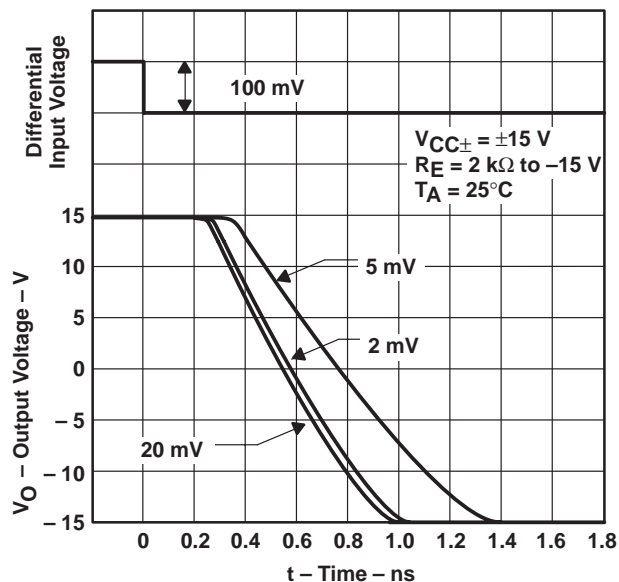
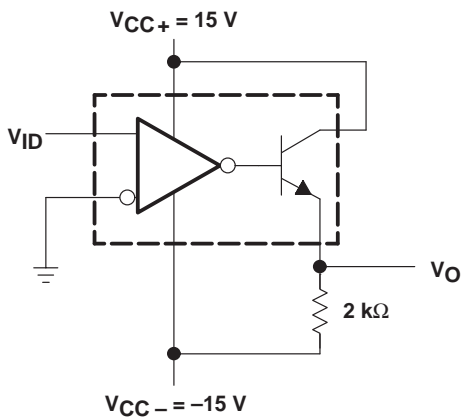


Figure 7



TEST CIRCUIT FOR FIGURES 6 AND 7

LM111, LM211, LM311, LM311Y DIFFERENTIAL COMPARATORS WITH STROBES

SLCS007A – SEPTEMBER 1973 – REVISED FEBRUARY 1992

TYPICAL CHARACTERISTICS

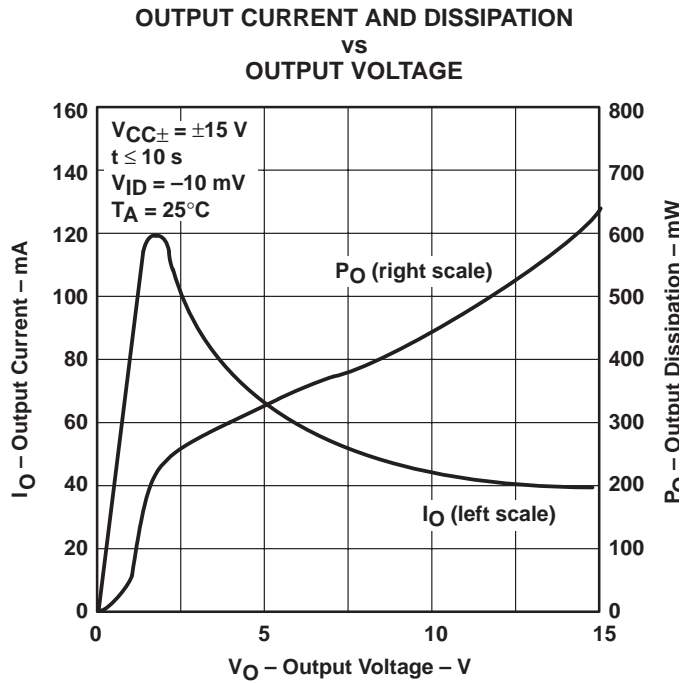


Figure 8

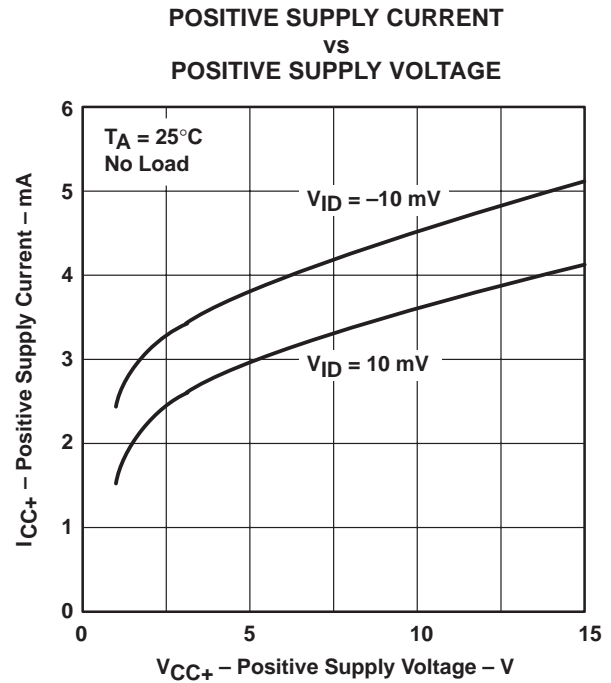


Figure 9

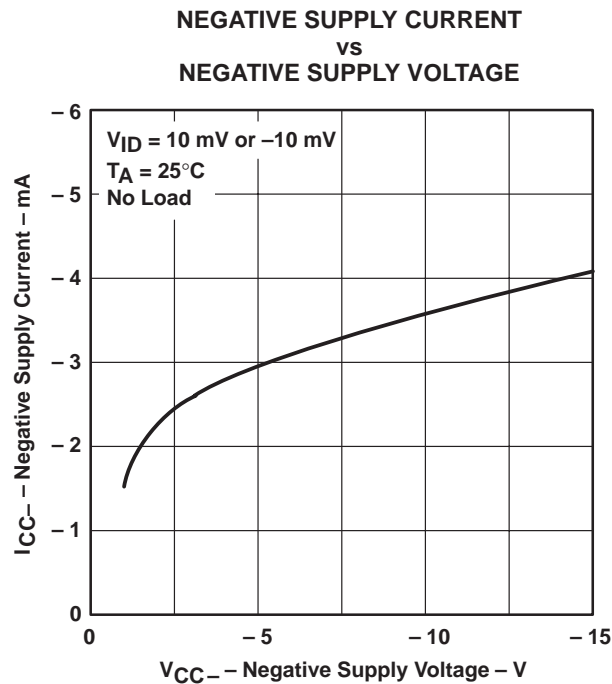


Figure 10



APPLICATION INFORMATION

Figure 11 through Figure 29 show various applications for the LM111, LM211, and LM311 comparators.

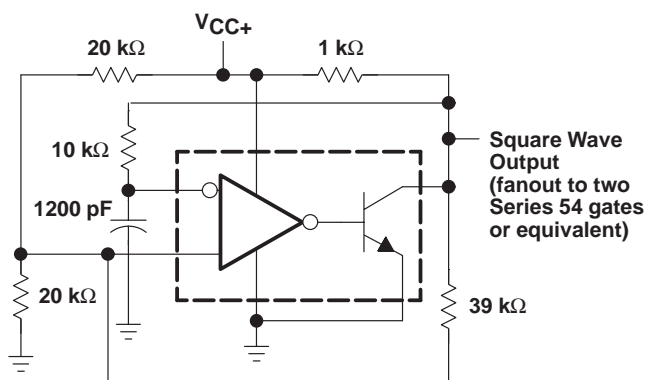


Figure 11. 100-kHz Free-Running Multivibrator

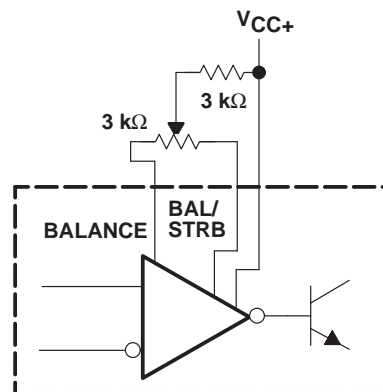


Figure 12. Offset Balancing

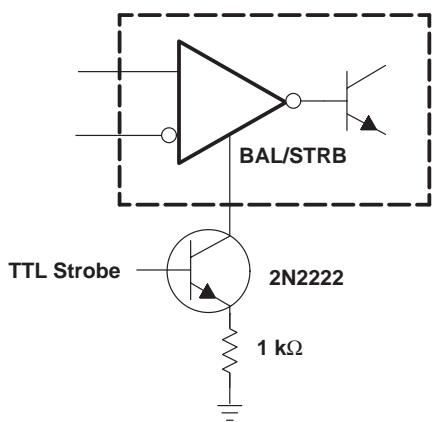


Figure 13. Strobing

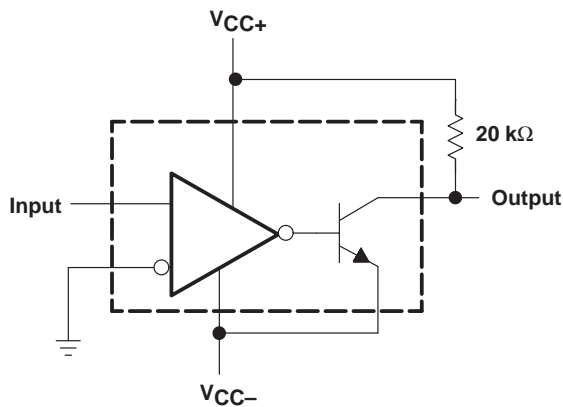
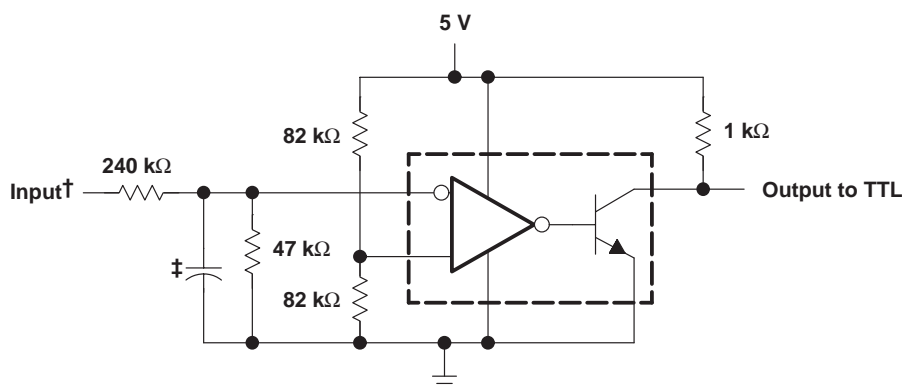


Figure 14. Zero-Crossing Detector



† Resistor values shown are for a 0-to-30-V logic swing and a 15-V threshold.
‡ May be added to control speed and reduce susceptibility to noise spikes.

Figure 15. TTL Interface With High-Level Logic

LM111, LM211, LM311, LM311Y DIFFERENTIAL COMPARATORS WITH STROBES

SLCS007A – SEPTEMBER 1973 – REVISED FEBRUARY 1992

APPLICATION INFORMATION

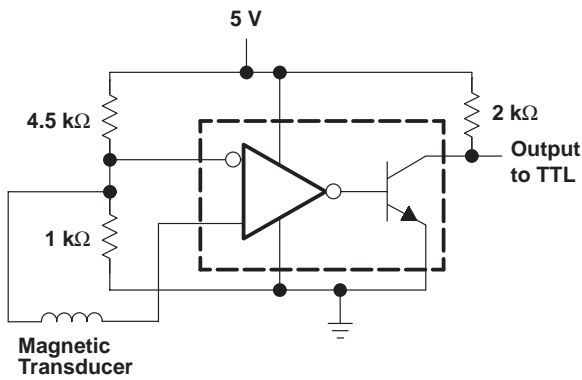


Figure 16. Detector for Magnetic Transducer

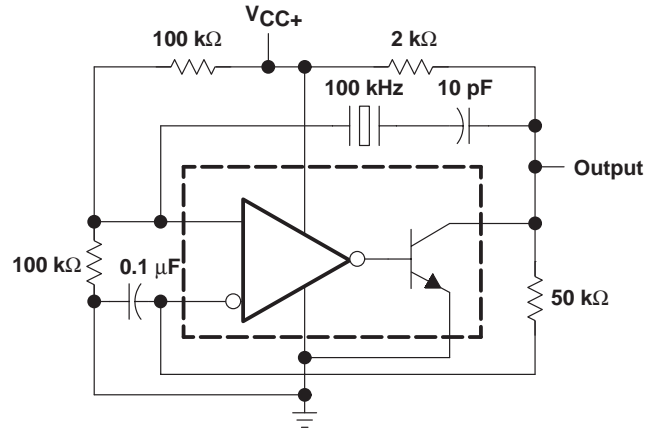


Figure 17. 100-kHz Crystal Oscillator

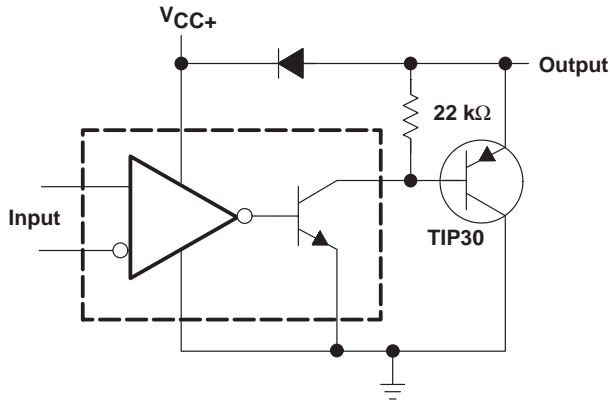
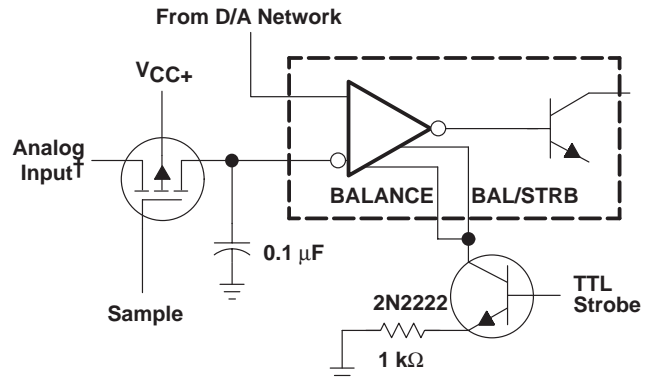


Figure 18. Comparator and Solenoid Driver



†Typical input current is 50 pA with inputs strobed off.

Figure 19. Strobing Both Input and Output Stages Simultaneously

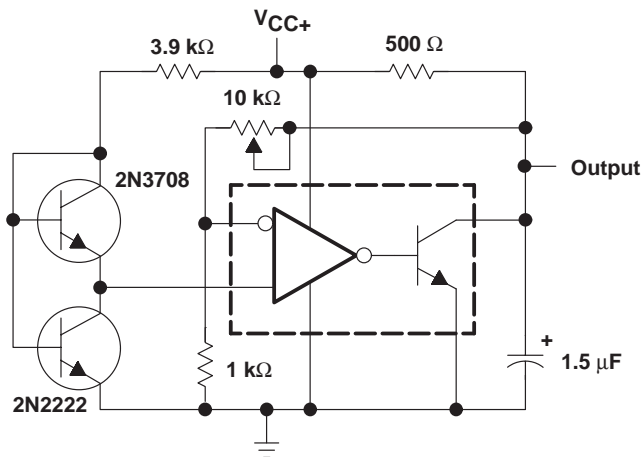


Figure 20. Low-Voltage Adjustable Reference Supply

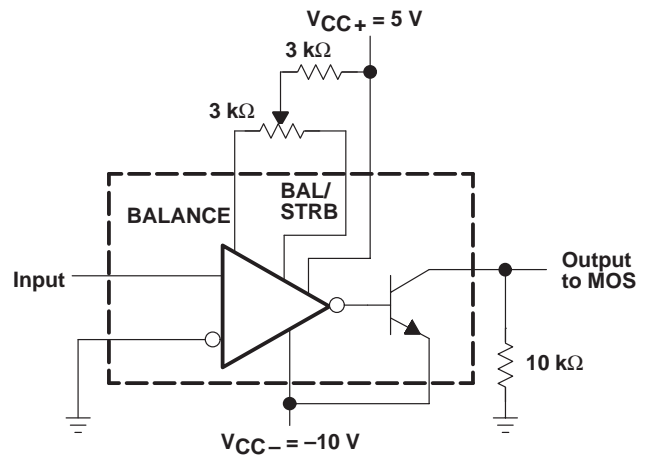


Figure 21. Zero-Crossing Detector Driving MOS Logic

APPLICATION INFORMATION

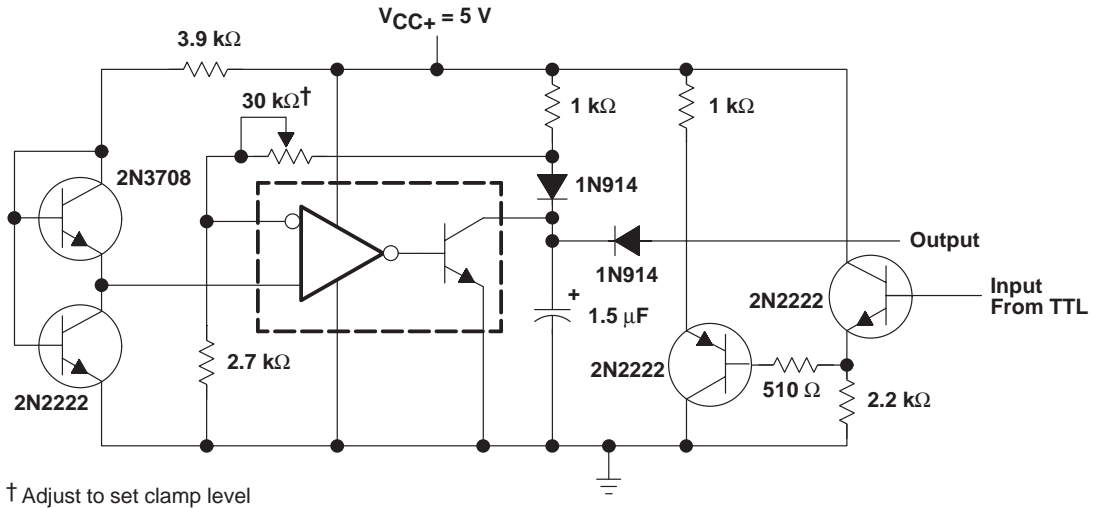


Figure 22. Precision Squarer

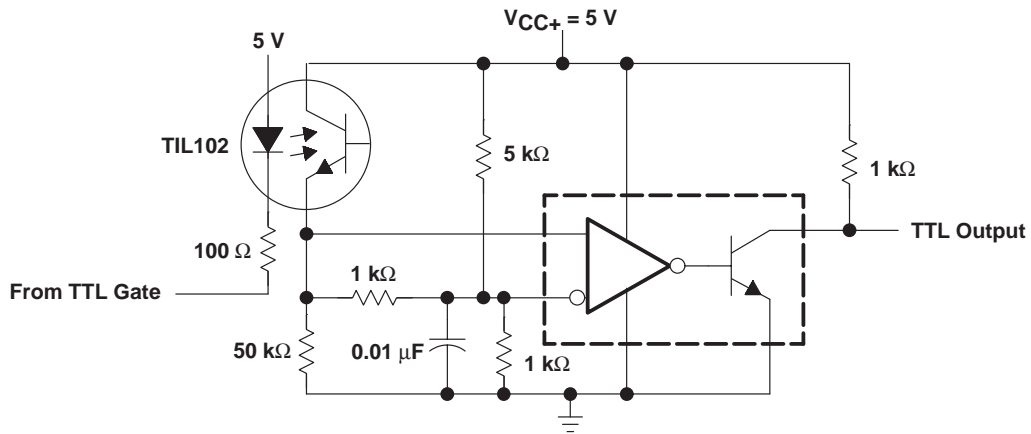


Figure 23. Digital Transmission Isolator

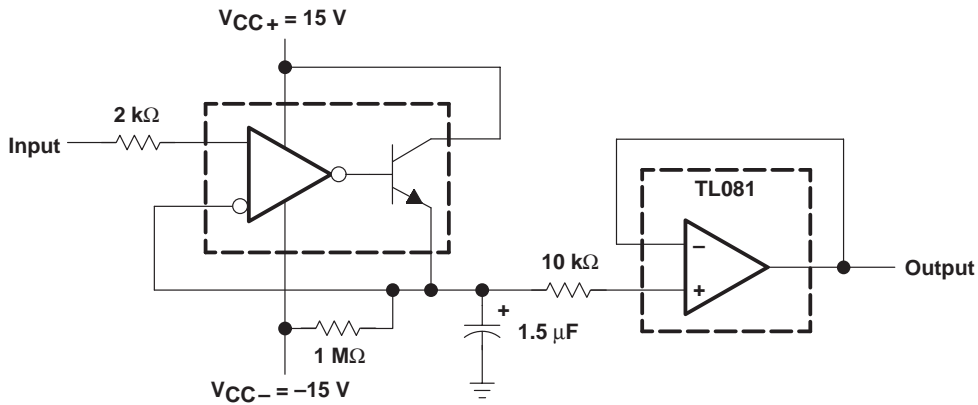


Figure 24. Positive-Peak Detector

LM111, LM211, LM311, LM311Y DIFFERENTIAL COMPARATORS WITH STROBES

SLCS007A – SEPTEMBER 1973 – REVISED FEBRUARY 1992

APPLICATION INFORMATION

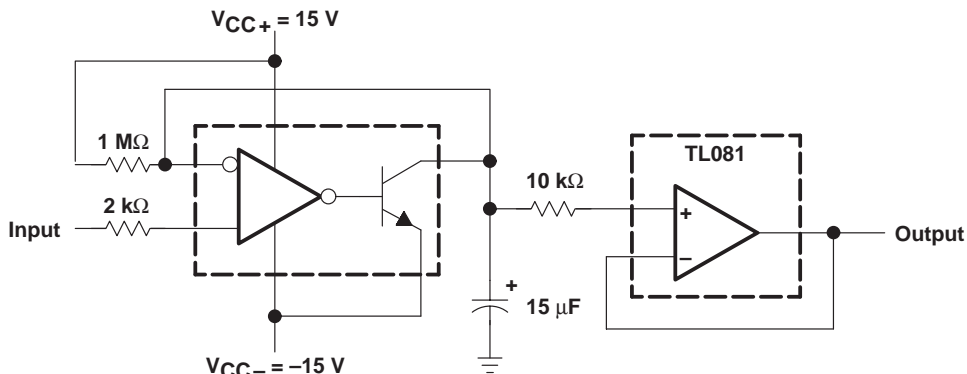
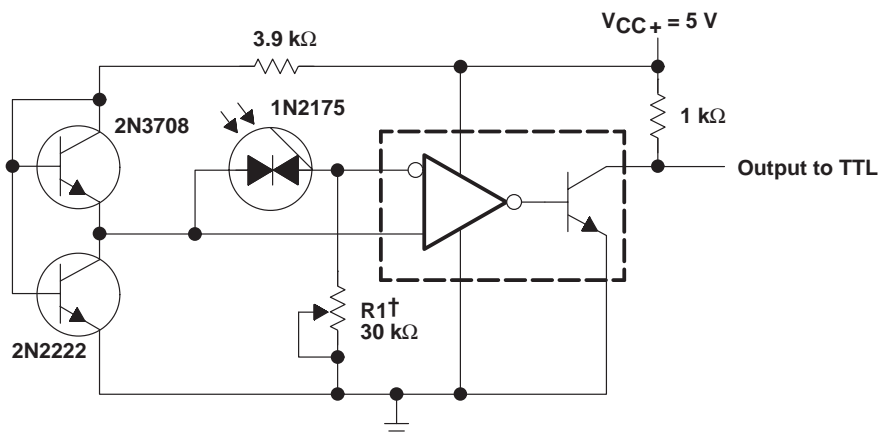
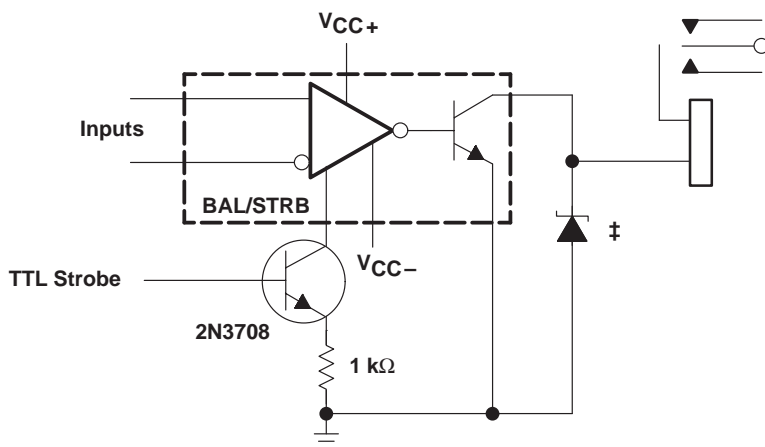


Figure 25. Negative-Peak Detector



† R1 sets the comparison level. At comparison, the photodiode has less than 5 mV across it decreasing dark current by an order of magnitude.

Figure 26. Precision Photodiode Comparator



‡ Transient voltage and inductive kickback protection

Figure 27. Relay Driver With Strobe

APPLICATION INFORMATION

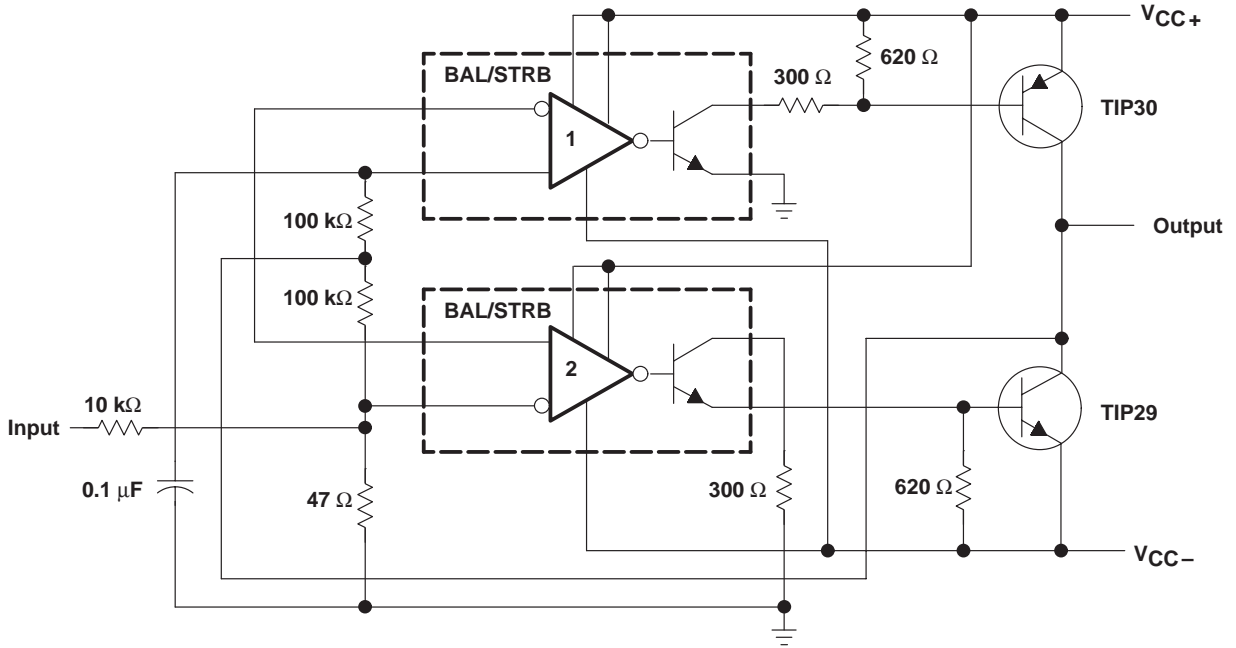


Figure 28. Switching Power Amplifier

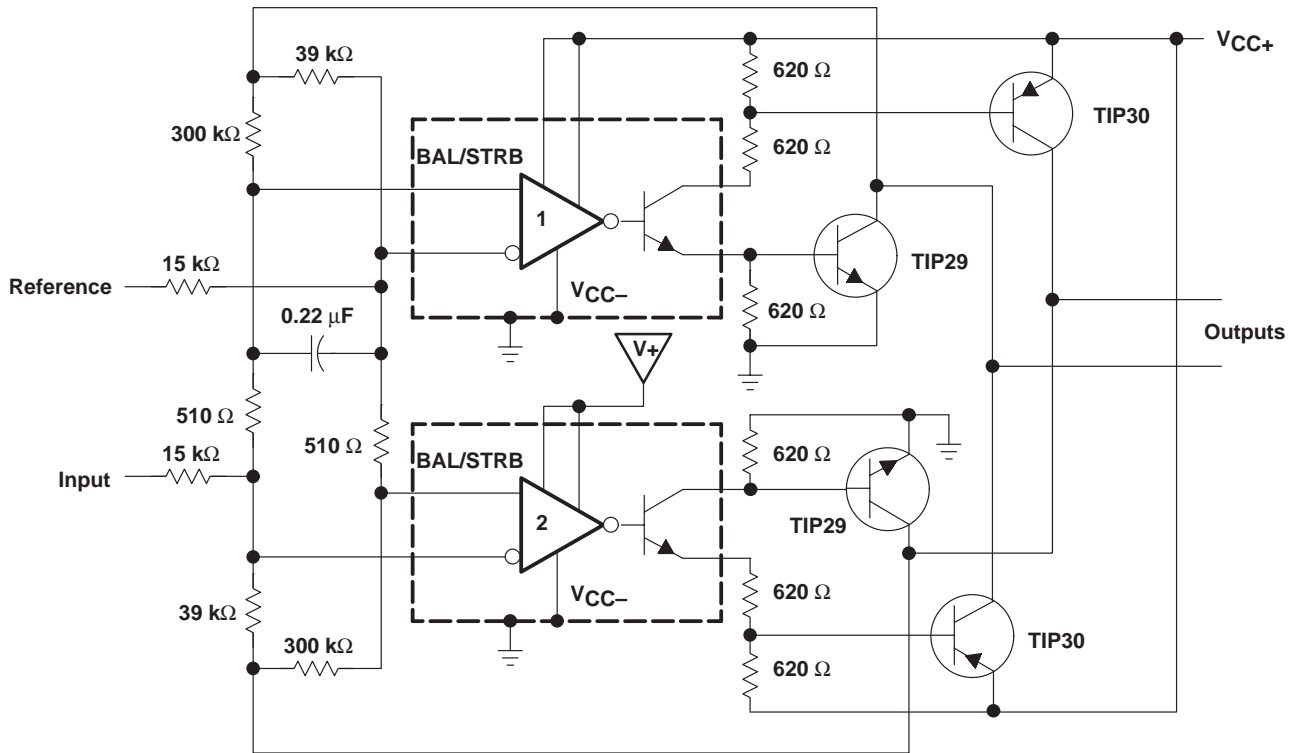


Figure 29. Switching Power Amplifiers

IMPORTANT NOTICE

Texas Instruments and its subsidiaries (TI) reserve the right to make changes to their products or to discontinue any product or service without notice, and advise customers to obtain the latest version of relevant information to verify, before placing orders, that information being relied on is current and complete. All products are sold subject to the terms and conditions of sale supplied at the time of order acknowledgement, including those pertaining to warranty, patent infringement, and limitation of liability.

TI warrants performance of its semiconductor products to the specifications applicable at the time of sale in accordance with TI's standard warranty. Testing and other quality control techniques are utilized to the extent TI deems necessary to support this warranty. Specific testing of all parameters of each device is not necessarily performed, except those mandated by government requirements.

CERTAIN APPLICATIONS USING SEMICONDUCTOR PRODUCTS MAY INVOLVE POTENTIAL RISKS OF DEATH, PERSONAL INJURY, OR SEVERE PROPERTY OR ENVIRONMENTAL DAMAGE ("CRITICAL APPLICATIONS"). TI SEMICONDUCTOR PRODUCTS ARE NOT DESIGNED, AUTHORIZED, OR WARRANTED TO BE SUITABLE FOR USE IN LIFE-SUPPORT DEVICES OR SYSTEMS OR OTHER CRITICAL APPLICATIONS. INCLUSION OF TI PRODUCTS IN SUCH APPLICATIONS IS UNDERSTOOD TO BE FULLY AT THE CUSTOMER'S RISK.

In order to minimize risks associated with the customer's applications, adequate design and operating safeguards must be provided by the customer to minimize inherent or procedural hazards.

TI assumes no liability for applications assistance or customer product design. TI does not warrant or represent that any license, either express or implied, is granted under any patent right, copyright, mask work right, or other intellectual property right of TI covering or relating to any combination, machine, or process in which such semiconductor products or services might be or are used. TI's publication of information regarding any third party's products or services does not constitute TI's approval, warranty or endorsement thereof.