



MULTI-CLOCK GENERATOR

FEATURES

- 27MHz MASTER CLOCK INPUT
- GENERATED AUDIO SYSTEM CLOCK:
 - SCKO1: 33.8688MHz (Fixed)
 - SCKO2: 256f_S
 - SCKO3: 384f_S
 - SCKO4: 768f_S
- ZERO PPM ERROR OUTPUT CLOCKS
- LOW CLOCK JITTER: 150ps at SCKO3
- MULTIPLE SAMPLING FREQUENCIES:
 - f_S = 32kHz, 44.1kHz, 48kHz, 64kHz,
 - 88.2kHz, 96kHz
- +3.3V CMOS LOGIC INTERFACE
- DUAL POWER SUPPLIES: +5V and +3.3V
- SMALL PACKAGE: 20-Lead SSOP

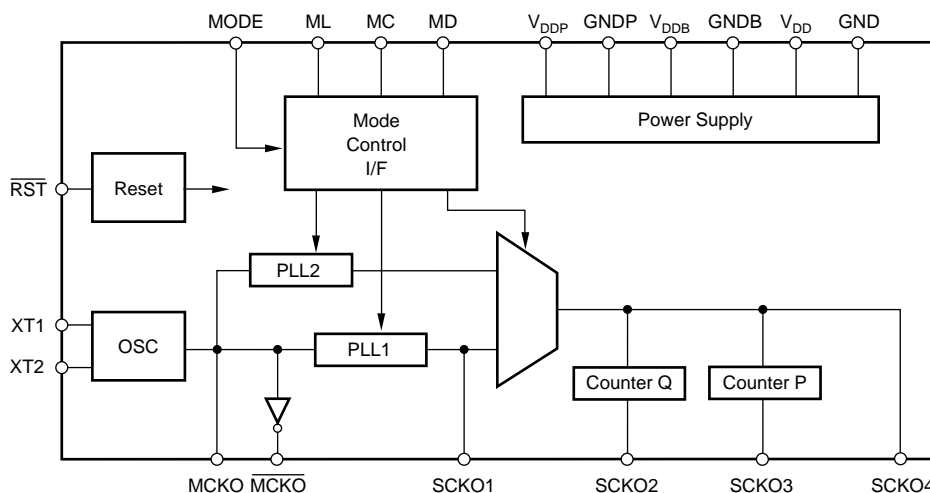
DESCRIPTION

The PLL1700 is a low cost, multi-clock generator Phase Lock Loop (PLL).

The PLL1700 can generate four systems clocks from a 27MHz reference input frequency.

The device gives customers both cost and space savings by eliminating external components and enables customers to achieve the very low jitter performance needed for high performance audio digital-to-analog converters (DAC) and/or analog-to-digital converters (ADC).

The PLL1700 is ideal for MPEG-2 applications which use a 27MHz master clock such as DVD players, DVD add-on cards for multimedia PCs, digital HDTV systems, and set-top boxes.



SPECIFICATIONS

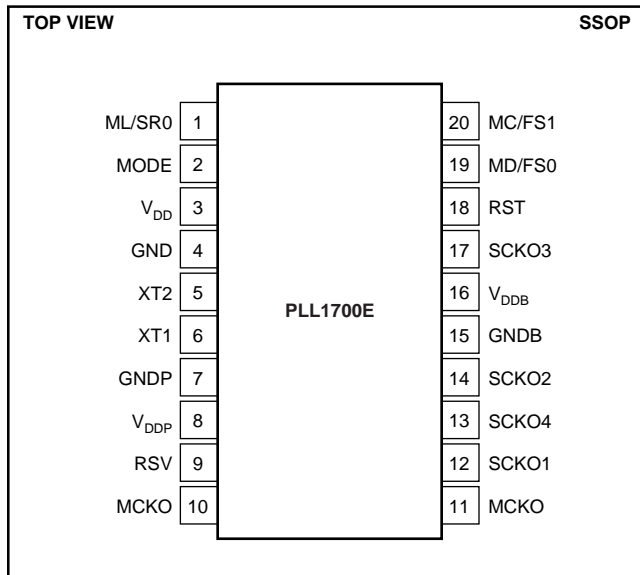
All specifications at $T_A = +25^\circ\text{C}$, $V_{DD} = V_{DDP} = +5\text{V}$, $V_{DDB} = +3.3\text{V}$, $f_M = 27\text{MHz}$ crystal oscillation and $f_S = 48\text{kHz}$, unless otherwise noted.

PARAMETER	CONDITIONS	PLL1700E			UNITS
		MIN	TYP	MAX	
DIGITAL INPUT/OUTPUT					
Input Logic Level:		TTL-Compatible			
V_{IH}		2.0			VDC
V_{IL}				0.8	VDC
Input Logic Current:					
$I_{IH}^{(1)}$	$V_{IN} = V_{DD}$			200	μA
$I_{IL}^{(1)}$	$V_{IN} = 0\text{V}$			-1	μA
$I_{IH}^{(2)}$	$V_{IN} = V_{DD}$			4	mA
$I_{IL}^{(2)}$	$V_{IN} = 0\text{V}$			-800	μA
Output Logic Level:			CMOS		
$V_{OH}^{(3)}$	$I_{OH} = 4\text{mA}$	$V_{DDB} - 0.4\text{V}$			VDC
$V_{OL}^{(3)}$	$I_{OL} = 4\text{mA}$			0.4	VDC
Sampling Frequency (f_S)	Standard f_S	32	44.1	48	kHz
	Double f_S	64	88.2	96	kHz
MASTER CLOCK (MCKO, $\overline{\text{MCKO}}$)	$f_M = 27\text{MHz}$, $C_L = 20\text{pF}$				
Master Clock Frequency		26.73	27	27.27	MHz
Clock Jitter ⁽⁴⁾			300		ps
Clock Duty Cycle $\overline{\text{MCKO}}$		40	50	60	%
For Crystal Oscillation $\overline{\text{MCKO}}$		40	50	60	%
Clock Duty Cycle $\overline{\text{MCKO}}$			40		%
For External Clock $\overline{\text{MCKO}}$			60		%
PHASE LOCK LOOP (PLL)	$f_M = 27\text{MHz}$, $C_L = 20\text{pF}$				
Generated System Clock Frequency			33.8688		MHz
SCKO1	Fixed				MHz
SCKO2	$256f_S$	8.192		24.576	MHz
SCKO3	$384f_S$	12.288		36.864	MHz
SCKO4	$768f_S$	24.576		36.864	MHz
Generated Clock Rise Time ⁽³⁾	20% to 80% V_{DDB}		5		ns
Generated Clock Fall Time ⁽³⁾	80% to 20% V_{DDB}		5		ns
Generated Clock Duty Cycle	SCKO1, SCKO3, SCKO4	40	50	60	%
	SCKO2 (standard)	40	50	60	%
	SCKO2 (double) ⁽⁵⁾	25	33	40	%
Generated Clock Jitter ⁽⁴⁾	SCKO1, SCKO2 (standard), SCKO4		300		ps
	SCKO3		150		ps
	SCKO2 (double)		450		ps
Settling Time	To Programmed Frequency			20	ms
Power-Up Time	To Programmed Frequency		15	30	ms
POWER SUPPLY REQUIREMENTS					
Voltage Range	V_{DD} , V_{DDP}	+4.5	+5	+5.5	VDC
	V_{DDB}	+2.7	+3.3	+3.6	VDC
Supply Current ⁽⁶⁾ :					
$I_{DD} + I_{DDP}$	$V_{DD} = V_{DDP} = 5\text{V}$, $f_S = 48\text{kHz}$		11	16	mA
I_{DDB}	$V_{DDB} = +3.3\text{V}$, $f_S = 48\text{kHz}$		6	9	mA
Power Dissipation	$f_S = 48\text{kHz}$		75	110	mW
TEMPERATURE RANGE					
Operation		-25		+85	$^\circ\text{C}$
Storage		-55		+125	$^\circ\text{C}$

NOTES: (1) ML, MC, MD, MODE, $\overline{\text{RST}}$ (Schmitt-trigger input with internal pull-down resistor). (2) XT1, when an external 27MHz clock is used, the buffer ICs, such as 74HC04, are recommended to interface to XT1. (3) MCKO, $\overline{\text{MCKO}}$, SCKO4, SCKO3, SCKO2, and SCKO1. (4) Jitter performance is specified as standard deviation of jitter under 27MHz crystal oscillation. (5) When SCKO2 is set to double rate clock output, its duty cycle is 33%. (6) $f_M = 27\text{MHz}$ crystal oscillation, no load on $\overline{\text{MCKO}}$, $\overline{\text{MCKO}}$, SCKO4, SCKO3, SCKO2, and SCKO1.

The information provided herein is believed to be reliable; however, BURR-BROWN assumes no responsibility for inaccuracies or omissions. BURR-BROWN assumes no responsibility for the use of this information, and all use of such information shall be entirely at the user's own risk. Prices and specifications are subject to change without notice. No patent rights or licenses to any of the circuits described herein are implied or granted to any third party. BURR-BROWN does not authorize or warrant any BURR-BROWN product for use in life support devices and/or systems.

PIN CONFIGURATION



PACKAGE INFORMATION

PRODUCT	PACKAGE	TEMPERATURE RANGE	PACKAGE DRAWING NUMBER ⁽¹⁾
PLL1700E	20-Lead SSOP	-25°C to +85°C	334-1

NOTE: (1) For detailed drawing and dimension table, please see end of data sheet, or Appendix C of Burr-Brown IC Data Book.

ABSOLUTE MAXIMUM RATINGS

Supply Voltage (+V _{DD} , +V _{DDP} , +V _{DDB})	+6.5V
Supply Voltage Differences (+V _{DD} , +V _{DDP})	±0.1V
GND Voltage Differences: GND, GNDP, GNDB	±0.1V
Digital Input Voltage	-0.3V to (V _{DD} + 0.3V)
Digital Output Voltage	-0.3V to (V _{DDB} + 0.3V)
Input Current (any pins except supply pins)	±10mA
Power Dissipation	300mW
Operating Temperature Range	-25°C to +85°C
Storage Temperature	-55°C to +125°C
Lead Temperature (soldering, 5s)	+260°C
Package Temperature (IR reflow, 10s)	+235°C

PIN ASSIGNMENTS

PIN	NAME	I/O	FUNCTION
1	ML/SR0	IN	Latch Enable for Software Mode/Sampling Rate Selection for Hardware Mode. When MODE pin is LOW, ML is selected. ⁽¹⁾
2	MODE	IN	Mode Control Select. When this pin is HIGH, device is operated in hardware mode using SR0 (pin 1), FS0 (pin 19), and FS1 (pin 20). When this pin is LOW, device is operated in software mode by three-wire interface using ML (pin 1), MD (pin 19) and MC (pin 20). ⁽¹⁾
3	V _{DD}	—	Digital Power Supply, +5V.
4	GND	—	Digital Ground.
5	XT2	—	27MHz Crystal. When an external 27MHz clock is applied to XT1 (pin 6), this pin must be connected to GND.
6	XT1	IN	27MHz Oscillator Input/External 27MHz Input.
7	GNDP	—	Ground for PLL.
8	V _{DDP}	—	Power Supply for PLL, +5V.
9	RSV	—	Reserved. Must be left open.
10	MCKO	OUT	27MHz Output.
11	MCKO	OUT	Inverted 27MHz Output.
12	SCKO1	OUT	Fixed 33.8688MHz Clock Output.
13	SCKO4	OUT	768f _s Clock Output.
14	SCKO2	OUT	256f _s Clock Output.
15	GNDB	—	Digital Ground for V _{DDB} .
16	V _{DDB}	—	Digital Power Supply for Clock Output Buffers, +3.3V.
17	SCKO3	OUT	384f _s Output. This output has been optimized for the lowest jitter and should be connected to the audio DAC(s).
18	RST	IN	Reset. When this pin is LOW, device is held in reset. ⁽¹⁾
19	MD/FS0	IN	Serial Data Input for Software Mode/Sampling Frequency Selection for Hardware Mode. When MODE pin is LOW, MD is selected. ⁽¹⁾
20	MC/FS1	IN	Shift Clock Input for Software Mode/Sampling Frequency Selection for Hardware Mode. When MODE pin is LOW, MC is selected. ⁽¹⁾

NOTE: (1) Schmitt-trigger input with internal pull-down resistors.

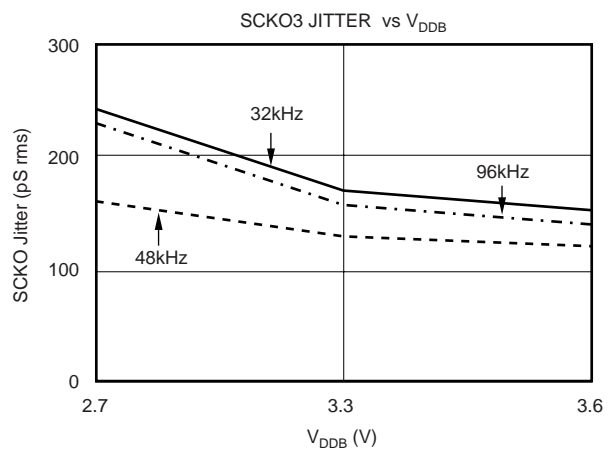
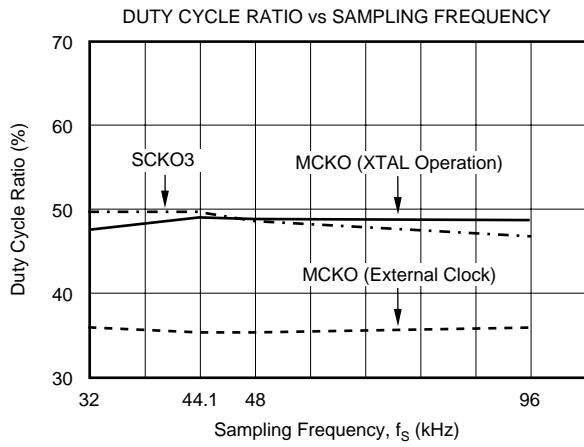
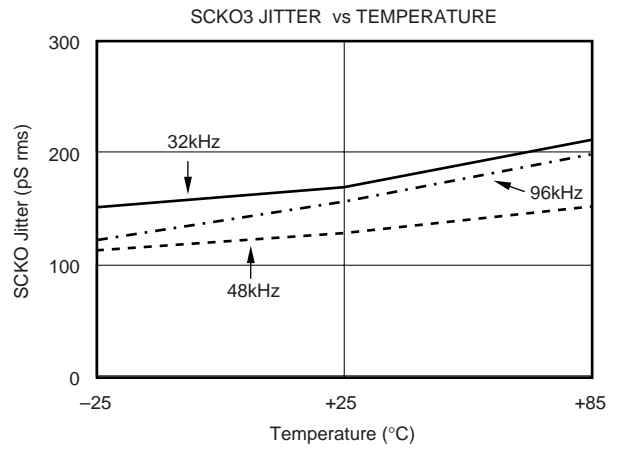
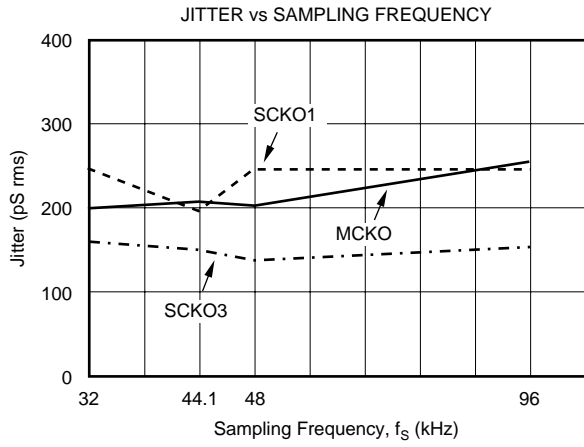
ELECTROSTATIC DISCHARGE SENSITIVITY

This integrated circuit can be damaged by ESD. Burr-Brown recommends that all integrated circuits be handled with appropriate precautions. Failure to observe proper handling and installation procedures can cause damage.

ESD damage can range from subtle performance degradation to complete device failure. Precision integrated circuits may be more susceptible to damage because very small parametric changes could cause the device not to meet its published specifications.

TYPICAL PERFORMANCE CURVES

At $T_A = +25^\circ\text{C}$, $V_{DD} = V_{DDP} = +5\text{V}$, $V_{DDB} = +3.3\text{V}$, $C_L = 20\text{pF}$, unless otherwise noted.



THEORY OF OPERATION

MASTER CLOCK AND SYSTEM CLOCK OUTPUT

The PLL1700 consists of a dual PLL clock and master clock generator which generates four system clocks and two buffered 27MHz clocks from a 27MHz master clock. Figure 1 shows the block diagram of the PLL1700. The PLL is

designed to accept a 27MHz master clock or crystal oscillator. The master clock can be either a crystal oscillator placed between XT1 (pin 6) and XT2 (pin 5), or an external input to XT1. If an external master clock is used, XT2 should be connected to ground. Figure 2 illustrates possible system clock connection options, and Figure 3 illustrates the 27MHz master clock timing requirements.

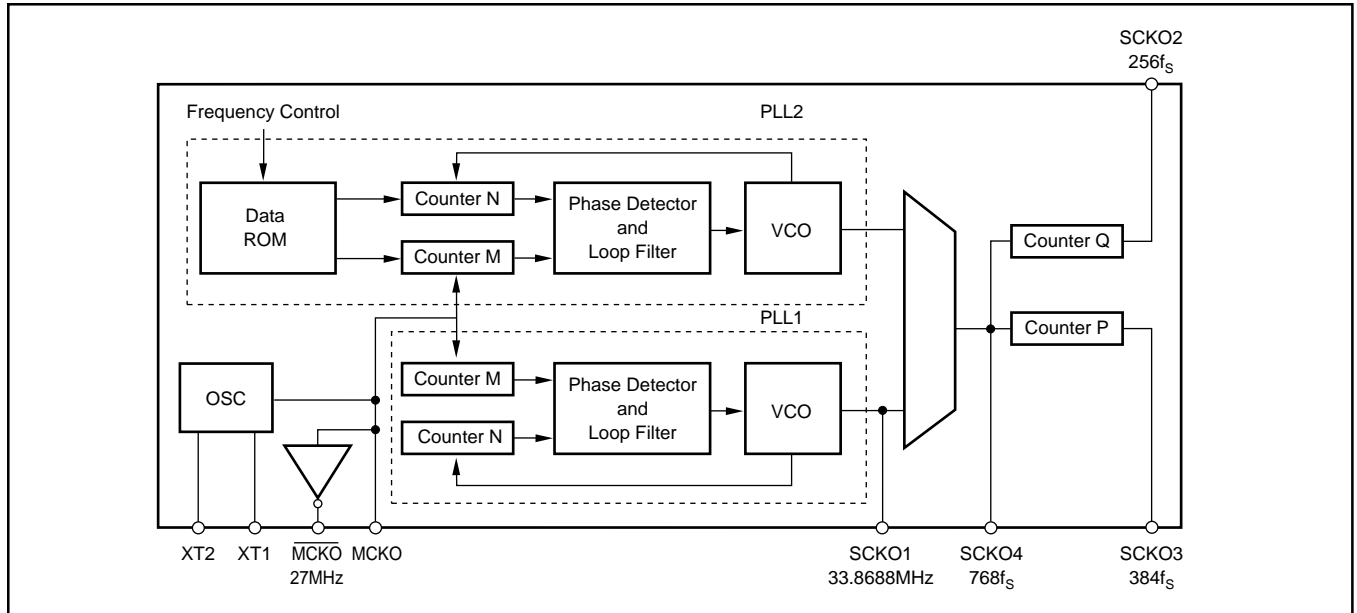


FIGURE 1. Block Diagram of PLL1700.

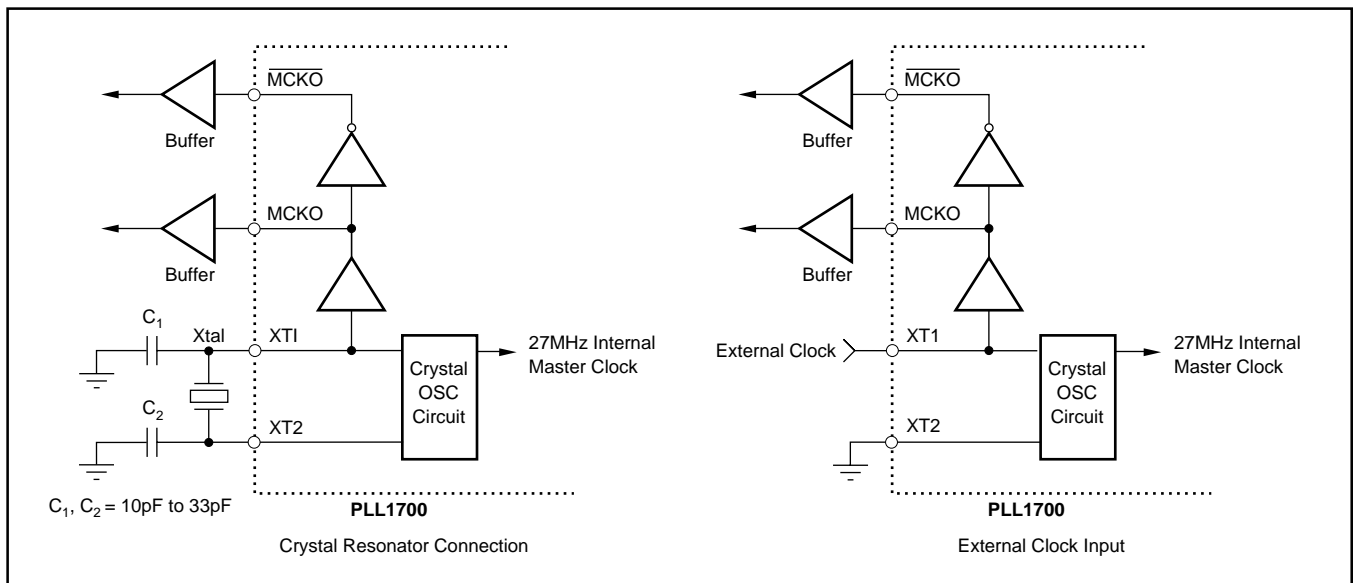


FIGURE 2. Master Clock Generator Connection Diagram.

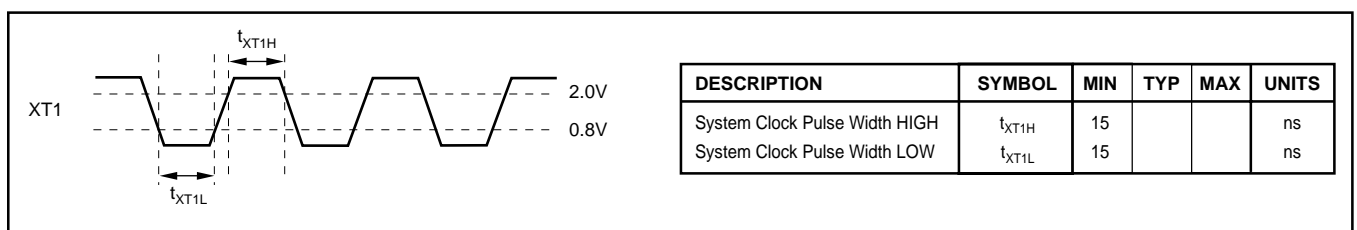


FIGURE 3. External Master Clock Timing Requirement.

The PLL1700 provides a very low jitter, high accuracy clock. SCKO1 is a fixed frequency clock which is 33.8688MHz (768 x 44.1kHz) for a CD-DA DSP. The output frequency of the remaining clocks is determined by the sampling frequency (f_s) by software or hardware control. SCKO2 and SCKO3 output $256f_s$ and $384f_s$ systems clocks, respectively. SCKO4 output is $768f_s$ if the sampling frequency is 32kHz, 44.1kHz, 48kHz, or the output is $384f_s$ if the sampling frequency is 64kHz, 88.2kHz, or 96kHz. Table I shows each sampling frequency. The system clock output frequencies are generated by a 27MHz master clock and programmed sampling frequencies are shown in Table II.

SAMPLING RATE	SAMPLING FREQUENCY (kHz)		
	Standard Sampling Frequencies	32	44.1
Double of Standard Sampling Frequencies	64	88.2	96

TABLE I. Sampling Frequencies.

SAMPLING FREQUENCY (kHz)	SAMPLING RATE	SKCO2 (MHz)	SCKO3 (MHz)	SCKO4 (MHz)
32	Standard	8.192	12.288	24.576
44.1	Standard	11.2896	16.9344	33.8688
48	Standard	12.288	18.4320	36.8640
64	Double	16.384	24.576	24.576
88.2	Double	22.5792	33.8688	33.8688
96	Double	24.576	36.8640	36.8640

TABLE II. Sampling Frequencies and Master Clock Output Frequencies.

Response time from power-on (or applying the clock to XT1) to SCKO settling time is typically 15ms. Delay time from sampling frequency change to SCKO settling time is 20ms maximum. Figure 4 illustrates SCKO transient timing. External buffers are recommended on all output clocks in order to avoid degrading the jitter performance of the PLL1700.

RESET

The PLL1700 has an internal power-on reset circuit, as well as an external forced reset (RST, pin 18). Both resets have the same effect on the PLL1700's functions. The mode register's default settings for software mode are initialized by reset. Throughout the reset period, all clock outputs are enabled with the default settings. Initialization for the internal power-on reset is done automatically during 1024 master clocks at $V_{DD} \geq 2.2V$ (1.8V to 2.6V). When using the internal power-on reset, RST should be HIGH. Power-on reset timing is shown in Figure 5. RST (pin 18) accepts an external forced reset by $RST = L$. Initialization (reset) is done when $RST = L$ and 1024 master clocks after $RST = H$. External reset timing is shown in Figures 6 and 7.

FUNCTION CONTROL

The built-in function of the PLL1700 can be controlled in the software mode (serial mode), which uses a three-wire interface by ML (pin 1), MC (pin 20), and MD (pin 19), when $MODE$ (pin 2) = L. They can also be controlled in the hardware mode (parallel mode) which uses SR0 (pin 1), FS1 (pin 20) and FS0 (pin 19), when $MODE$ (pin 2) = H. The selectable functions are shown in Table III.

FUNCTION	HARDWARE MODE (MODE = H)	SOFTWARE MODE (MODE = L)
Sampling Frequency Select (32kHz, 44.1kHz, 48kHz)	Yes	Yes
Sampling Rate Select (Standard/Double)	Yes	Yes
Each Clock Output Enable/Disable	No	Yes

TABLE III. Selectable Functions.

HARDWARE MODE (MODE = H)

In the hardware mode, the following functions can be selected:

Sampling Group Select

The sampling frequency group can be selected by FS1 (pin 20) and FS0 (pin 19).

FS1 (Pin 20)	FS0 (Pin 19)	SAMPLING GROUP
L	L	48kHz
L	H	44.1kHz
H	L	32kHz
H	H	Reserved

Sampling Rate Select

The sampling rate can be selected by SR0 (pin 1)

SR0 (Pin 1)	SAMPLING RATE SELECT
L	Standard
H	Double

SOFTWARE MODE (MODE = L)

The PLL1700's special function in software mode is shown in Table IV. These functions are controlled using ML, MC, and MD serial control signal.

FUNCTION	DEFAULT
Sampling Frequency Select (32kHz, 44.1kHz, 48kHz)	48kHz Group
Sampling Rate Select (Standard/Double)	Standard
Each Clock Output Enable/Disable	Enable

TABLE IV. Selectable Functions.

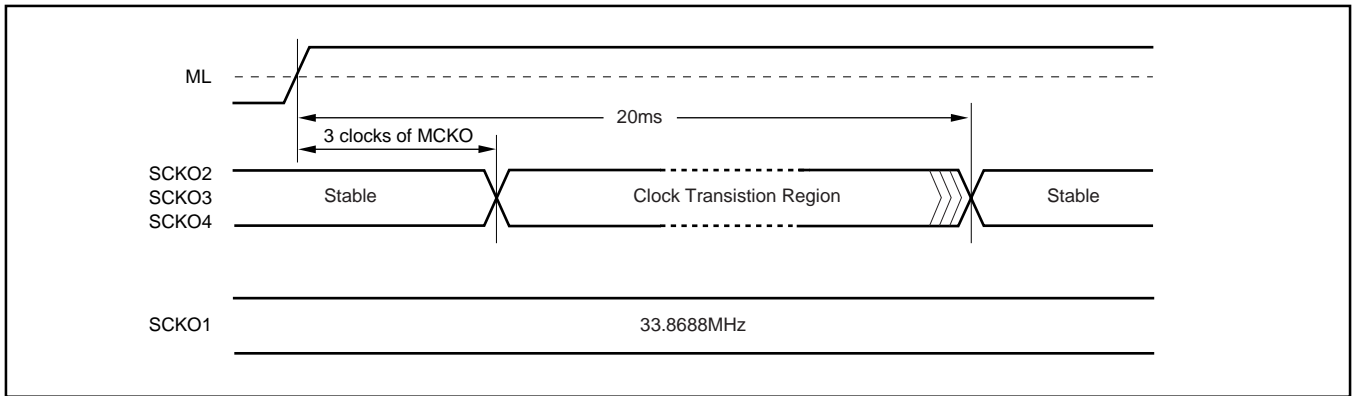


FIGURE 4. System Clock Transient Timing Chart.

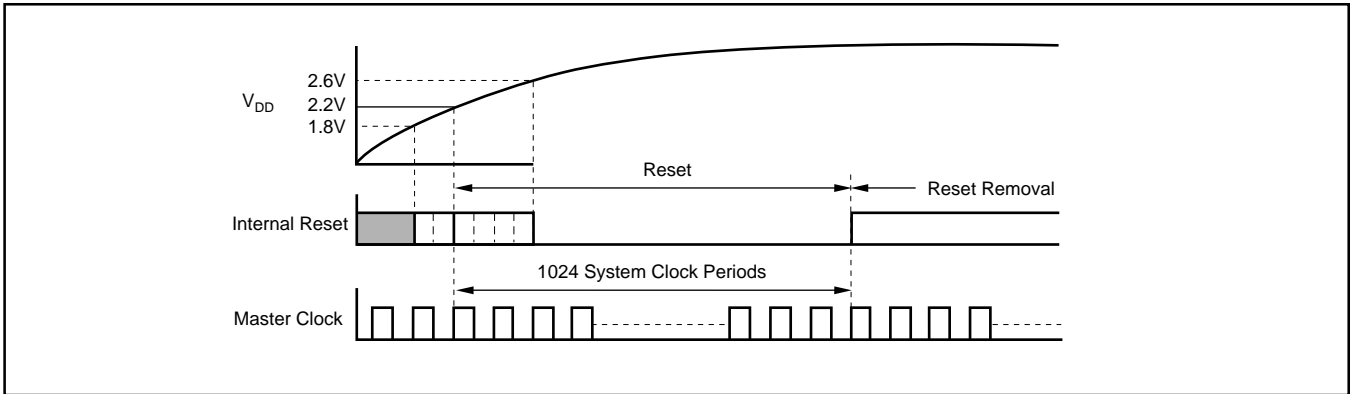


FIGURE 5. Power-On Reset Timing.

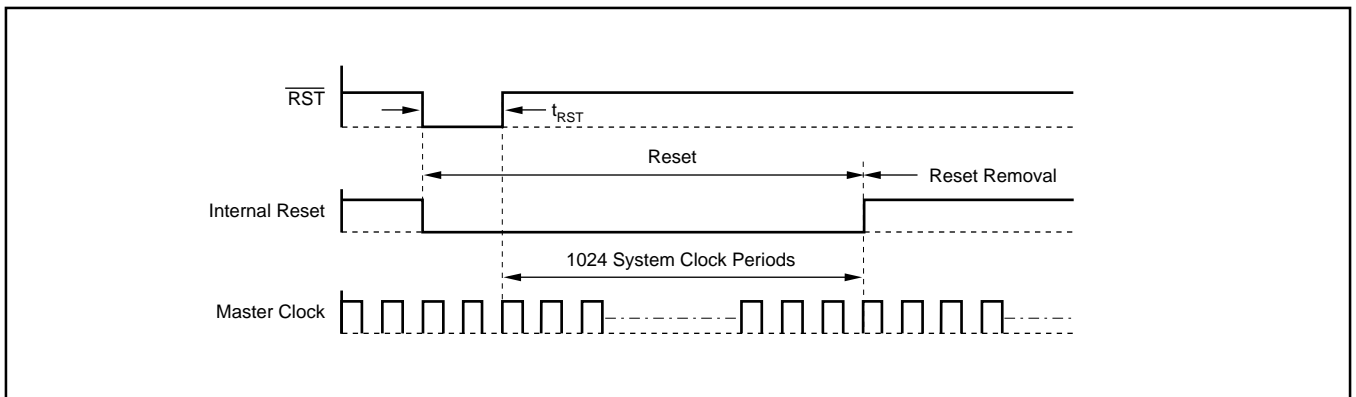


FIGURE 6. External Reset Timing.

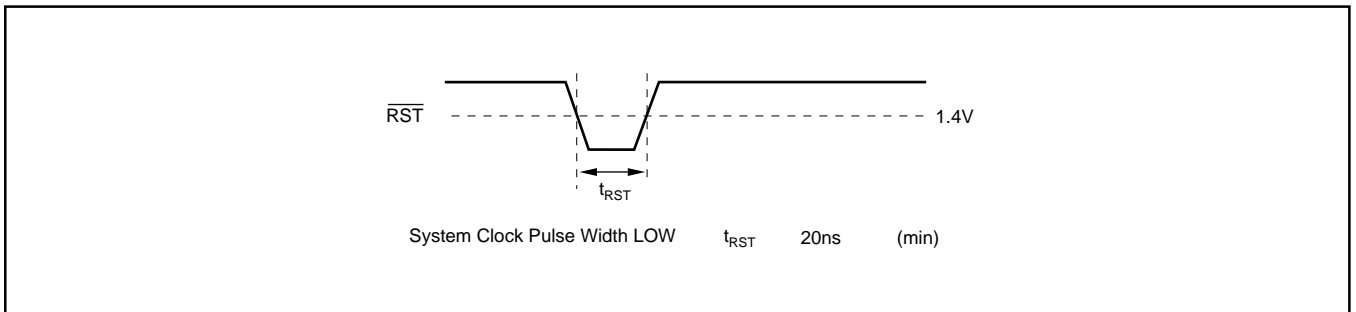


FIGURE 7. Reset Pulse Timing Requirement.

PROGRAM REGISTER BIT-MAPPING

The built-in functions of the PLL1700 are controlled through a 16-bit program register. This register is loaded using MD. After the 16 data bits are clocked in using the rising edge of MC, ML is used to latch the data into the register. Table V shows the bit-mapping of the registers. The software mode control format and control data input timing is shown in Figures 8 and 9, respectively.

Mode Register

D15	D14	D13	D12	D11	D0	D9	D8	D7	D6	D5	D4	D3	D2	D1	D0
0	1	1	1	0	0	CE6	CE5	CE4	CE3	CE2	CE1	SR1	SR0	FS1	FS0

REGISTER	BIT NAME	DESCRIPTION
MODE	CE6	MCKO Output Enable/Disable
	CE5	MCKO Output Enable/Disable
	CE4	SCKO4 Output Enable/Disable
	CE3	SCKO3 Output Enable/Disable
	CE2	SCKO2 Output Enable/Disable
	CE1	SCKO1 Output Enable/Disable
	SR [1:0]	Sampling Rate Select
	FS [1:0]	Sampling Frequency Select

TABLE V. Register Mapping.

Mode Register

FS [1:0]: Sampling Frequency Group Select

FS1	FS0	SAMPLING FREQUENCY	DEFAULT
0	0	48kHz	0
0	1	44.1kHz	
1	0	32kHz	
1	1	Reserved	

SR [1:0]: Sample Rate Select

SR1	SR0	SAMPLING RATE	DEFAULT
0	0	Standard	0
0	1	Double	
1	0	Reserved	
1	1	Reserved	

CE [1:6]: Clock Output Control

CE1 - CE6	CLOCK OUTPUT CONTROL	DEFAULT
0	Clock Output Disable	
1	Clock Output Enable	0

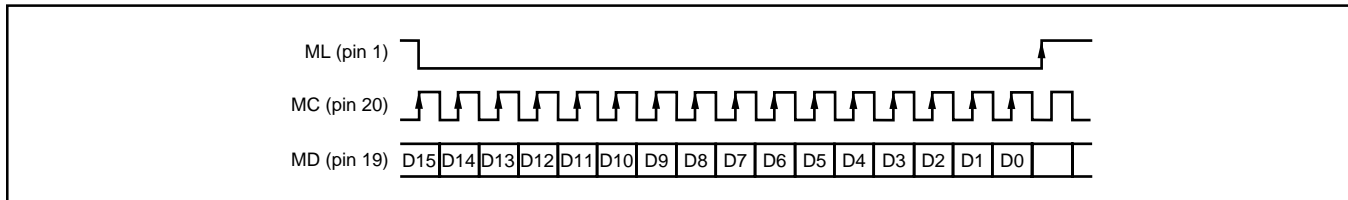


FIGURE 8. Software Mode Control Format.

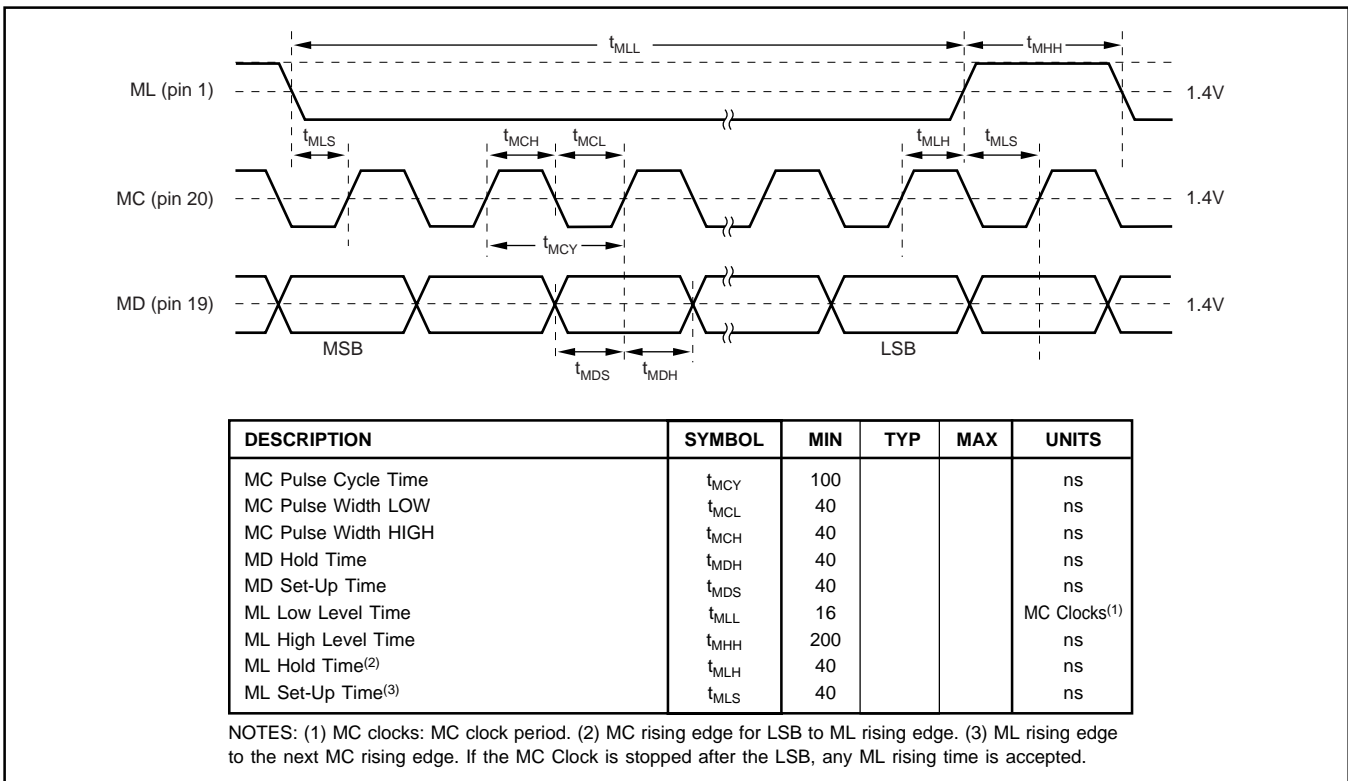


FIGURE 9. Control Data Input Timing.

CONNECTION DIAGRAM

Figure 10 shows the typical connection circuit for the PLL1700. There are three grounds for digital, analog and PLL power supply. However, the use of one common ground connection is recommended to avoid latch-up problems. Power supplies should be bypassed as close as possible to the device.

MPEG-2 APPLICATIONS

Typical applications for the PLL1700 are MPEG-2 based systems such as DVD players, DVD add-on cards for multimedia PCs, digital HDTV systems, and step-top boxes. The PLL1700 provides audio system clocks for a CD-DA DSP, DVD DSP, Karaoke DSP, and DAC(s) from a 27MHz video clock.

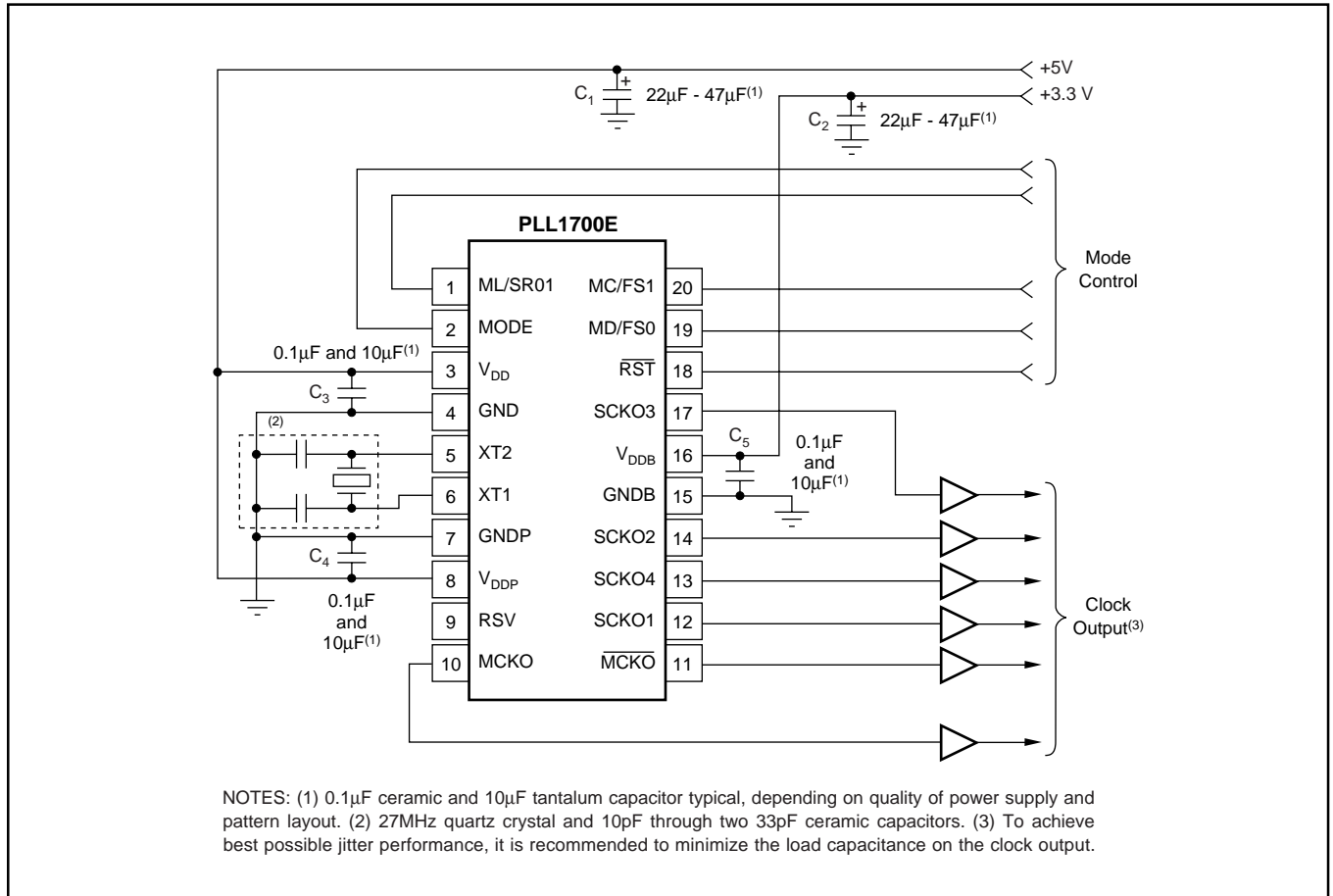


FIGURE 10. Typical Connection Diagram.

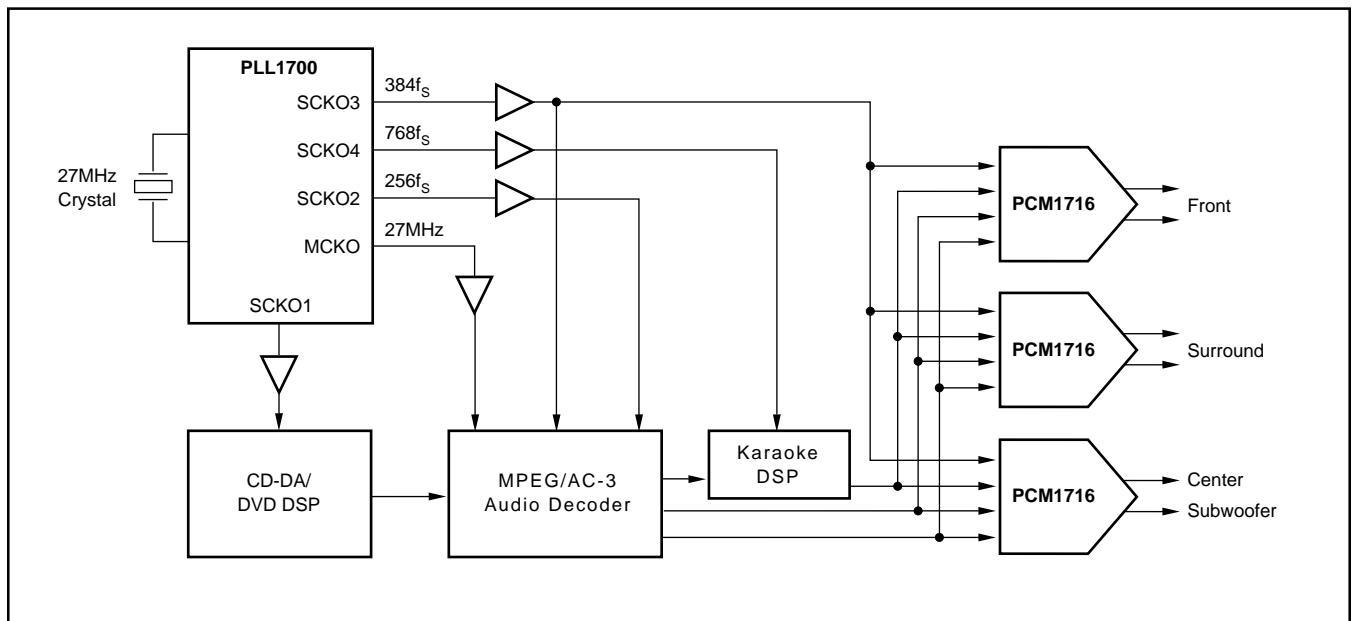


FIGURE 11. PLL1700 System Application Block Diagram.

PACKAGING INFORMATION

ORDERABLE DEVICE	STATUS(1)	PACKAGE TYPE	PACKAGE DRAWING	PINS	PACKAGE QTY
PLL1700E	ACTIVE	SSOP	DB	20	65
PLL1700E/2K	ACTIVE	SSOP	DB	20	2000

(1) The marketing status values are defined as follows:

ACTIVE: Product device recommended for new designs.

LIFEBUY: TI has announced that the device will be discontinued, and a lifetime-buy period is in effect.

NRND: Not recommended for new designs. Device is in production to support existing customers, but TI does not recommend using this part in a new design.

PREVIEW: Device has been announced but is not in production. Samples may or may not be available.

OBSOLETE: TI has discontinued the production of the device.

IMPORTANT NOTICE

Texas Instruments Incorporated and its subsidiaries (TI) reserve the right to make corrections, modifications, enhancements, improvements, and other changes to its products and services at any time and to discontinue any product or service without notice. Customers should obtain the latest relevant information before placing orders and should verify that such information is current and complete. All products are sold subject to TI's terms and conditions of sale supplied at the time of order acknowledgment.

TI warrants performance of its hardware products to the specifications applicable at the time of sale in accordance with TI's standard warranty. Testing and other quality control techniques are used to the extent TI deems necessary to support this warranty. Except where mandated by government requirements, testing of all parameters of each product is not necessarily performed.

TI assumes no liability for applications assistance or customer product design. Customers are responsible for their products and applications using TI components. To minimize the risks associated with customer products and applications, customers should provide adequate design and operating safeguards.

TI does not warrant or represent that any license, either express or implied, is granted under any TI patent right, copyright, mask work right, or other TI intellectual property right relating to any combination, machine, or process in which TI products or services are used. Information published by TI regarding third-party products or services does not constitute a license from TI to use such products or services or a warranty or endorsement thereof. Use of such information may require a license from a third party under the patents or other intellectual property of the third party, or a license from TI under the patents or other intellectual property of TI.

Reproduction of information in TI data books or data sheets is permissible only if reproduction is without alteration and is accompanied by all associated warranties, conditions, limitations, and notices. Reproduction of this information with alteration is an unfair and deceptive business practice. TI is not responsible or liable for such altered documentation.

Resale of TI products or services with statements different from or beyond the parameters stated by TI for that product or service voids all express and any implied warranties for the associated TI product or service and is an unfair and deceptive business practice. TI is not responsible or liable for any such statements.

Following are URLs where you can obtain information on other Texas Instruments products and application solutions:

Products		Applications	
Amplifiers	amplifier.ti.com	Audio	www.ti.com/audio
Data Converters	dataconverter.ti.com	Automotive	www.ti.com/automotive
DSP	dsp.ti.com	Broadband	www.ti.com/broadband
Interface	interface.ti.com	Digital Control	www.ti.com/digitalcontrol
Logic	logic.ti.com	Military	www.ti.com/military
Power Mgmt	power.ti.com	Optical Networking	www.ti.com/opticalnetwork
Microcontrollers	microcontroller.ti.com	Security	www.ti.com/security
		Telephony	www.ti.com/telephony
		Video & Imaging	www.ti.com/video
		Wireless	www.ti.com/wireless

Mailing Address: Texas Instruments
Post Office Box 655303 Dallas, Texas 75265

Copyright © 2003, Texas Instruments Incorporated