

5.8GHz I/Q Mixer

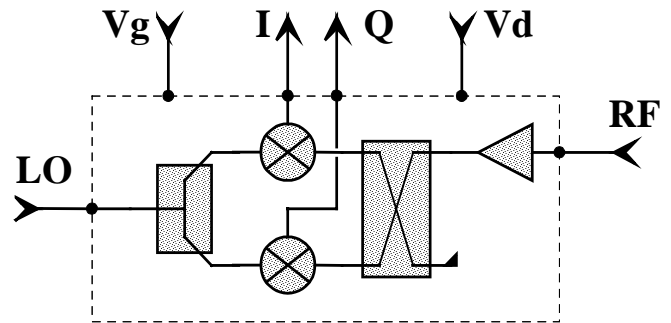
GaAs Monolithic Microwave IC

Description

The CHR0100a is a single chip MMIC including an I/Q mixer and a RF gain block that minimises the overall conversion loss of the receiver and provides the RF signal to the mixer through a power divider.

The circuit is manufactured with the P-HEMT process : 0.25 μ m gate length, via holes through the substrate, air bridges and electron beam gate lithography.

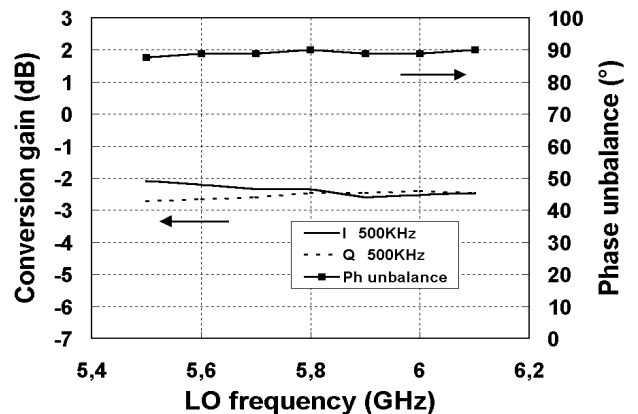
It is supplied in chip form or in ceramic leadless chip carrier.



Block diagram

Main Features

- 5.8GHz centre frequency
- DC-50MHz IF bandwidth
- Low noise figure
- Low I/Q phase & amplitude unbalance
- Chip size : 1.77 x 1.37 x 0.10 mm



Conversion gain (RF to I; RF to Q) and phase unbalance

Main Characteristics

Tamb = +25°C

Symbol	Parameter	Min.	Typ.	Max.	Unit
Fop	Operating frequency range	5.725	5.8	5.875	GHz
Cg	Conversion gain (RF to I; RF to Q)	-4	-2.5		dB
Plo	LO input power		6		dBm

ESD Protections : Electrostatic discharge sensitive device observe handling precaution !

Electrical Characteristics

Tamb = +25°C

Symbol	Parameter	Test conditions	Min.	Typ.	Max.	Unit
Fop	Operating frequency range		5.725	5.8	5.875	GHz
BWif	IF frequency band		DC		50	MHz
Cg	Conversion gain, RF to I or RF to Q	(1)	-4	-2.5		dB
NF	Noise figure (DSB), RF to I or RF to Q IF=10MHz			5		dB
Pif_1dB	I or Q IF output power at 1dB compression gain			-5		dBm
Plo	LO input power		5	8		dBm
$\Delta\phi$	I/Q phase unbalance			10	15	°
ΔCg	I/Q amplitude unbalance			0.5	1.0	dB
Vd	Positive bias voltage			4		V
Id	Bias current			15	25	mA

(1) Conversion gain will be 3dB higher after I/Q combination.

Absolute Maximum Ratings (1)

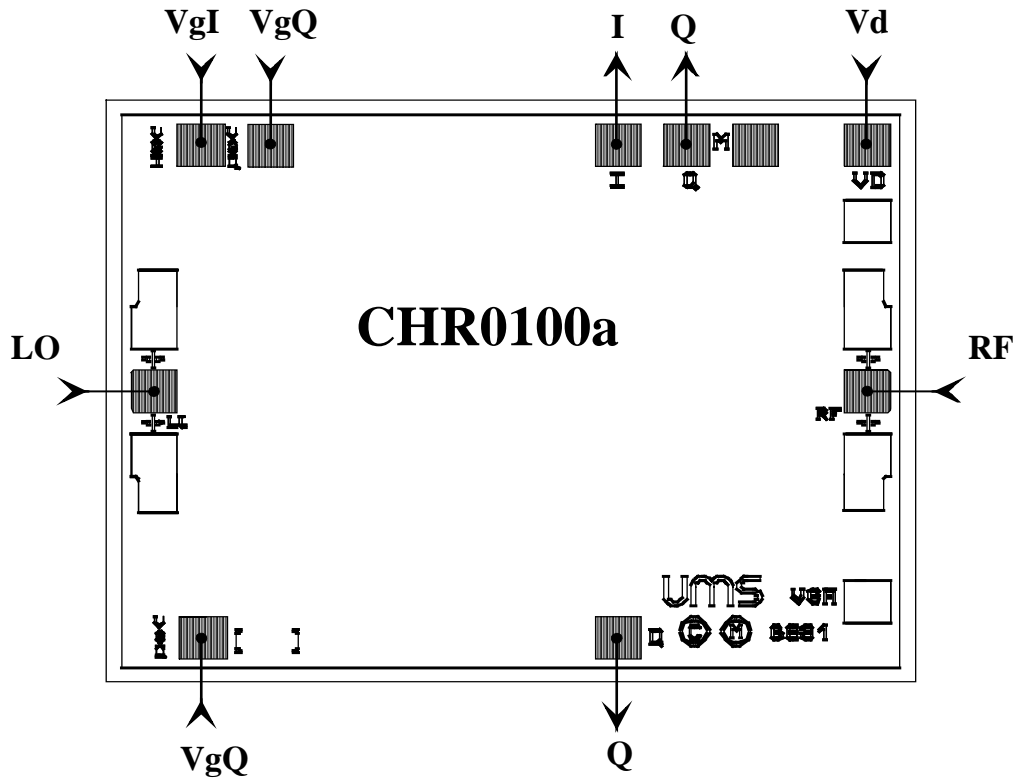
Tamb = +25°C

Symbol	Parameter	Values	Unit
Vd	Positive supply voltage	6	V
Vg	Negative supply voltage	-2 to 0	V
Pin	Maximum peak input power overdrive (2)	10	dBm
Top	Operating temperature range	-50 to 70	°C
Tstg	Storage temperature range	-55 to 155	°C

(1) Operation of this device above anyone of these parameters may cause permanent damage

(2) Duration < 1s.

Chip Pad Allocation



Input And Output Pin References

Pin	Description
RF	RF signal input
LO	LO signal input
VgI	I mixer negative supply voltage
VgQ	Q mixer negative supply voltage
Vd	Positive supply voltage
I	First IF output
Q	Second IF output (in quadrature)

Connection of only one of the two VgQ and Q pads is necessary
 VgI, VgQ only necessary for low LO power

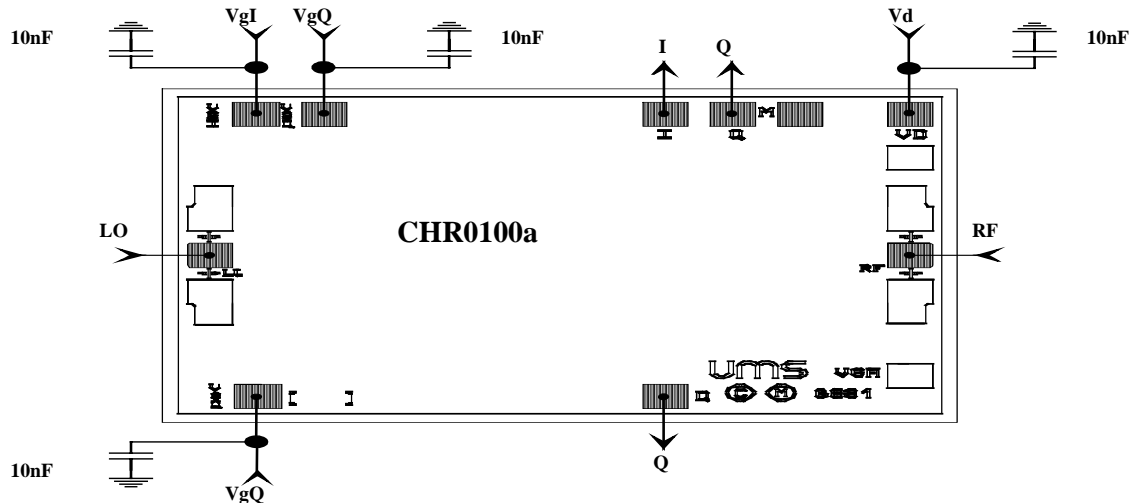
Typical Bias Configuration

The typical bias voltage applied to the chip is $V_d = 4V$.

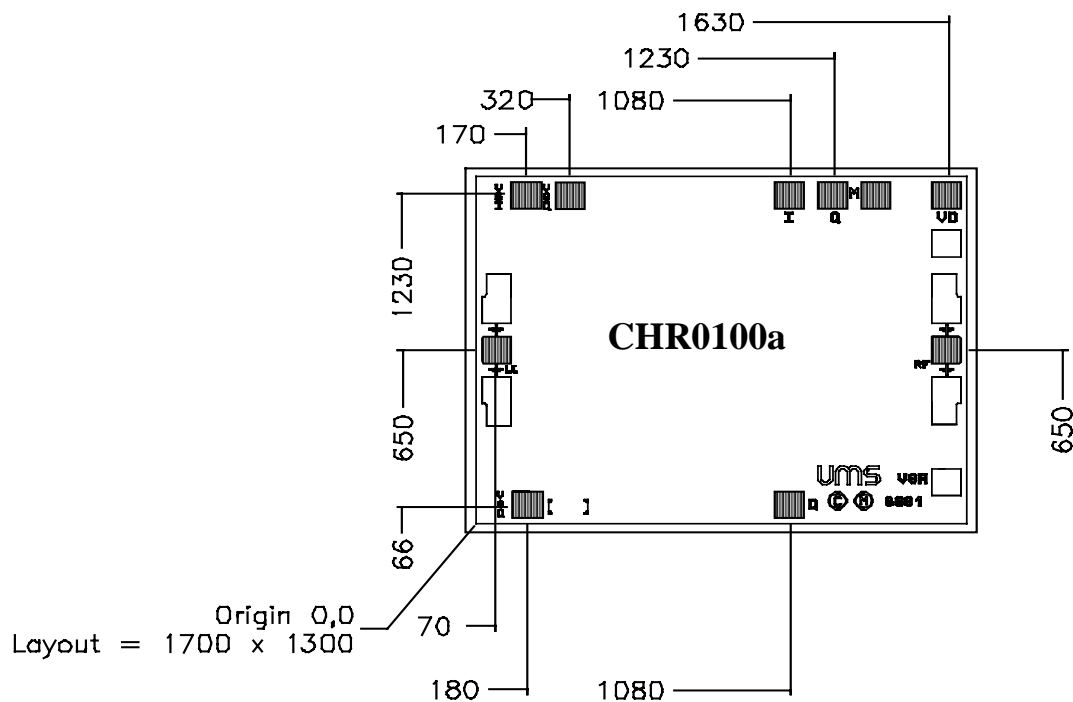
If the LO power is low (ex: $< 5dBm$) one can apply a negative voltage ($-0.3V$) on V_g to improve and secure the conversion characteristic.

Each V_g and V_d port should have a $10nF$ decoupling capacitor to the ground.

Connection of only one of the two V_{gQ} and Q pads is necessary

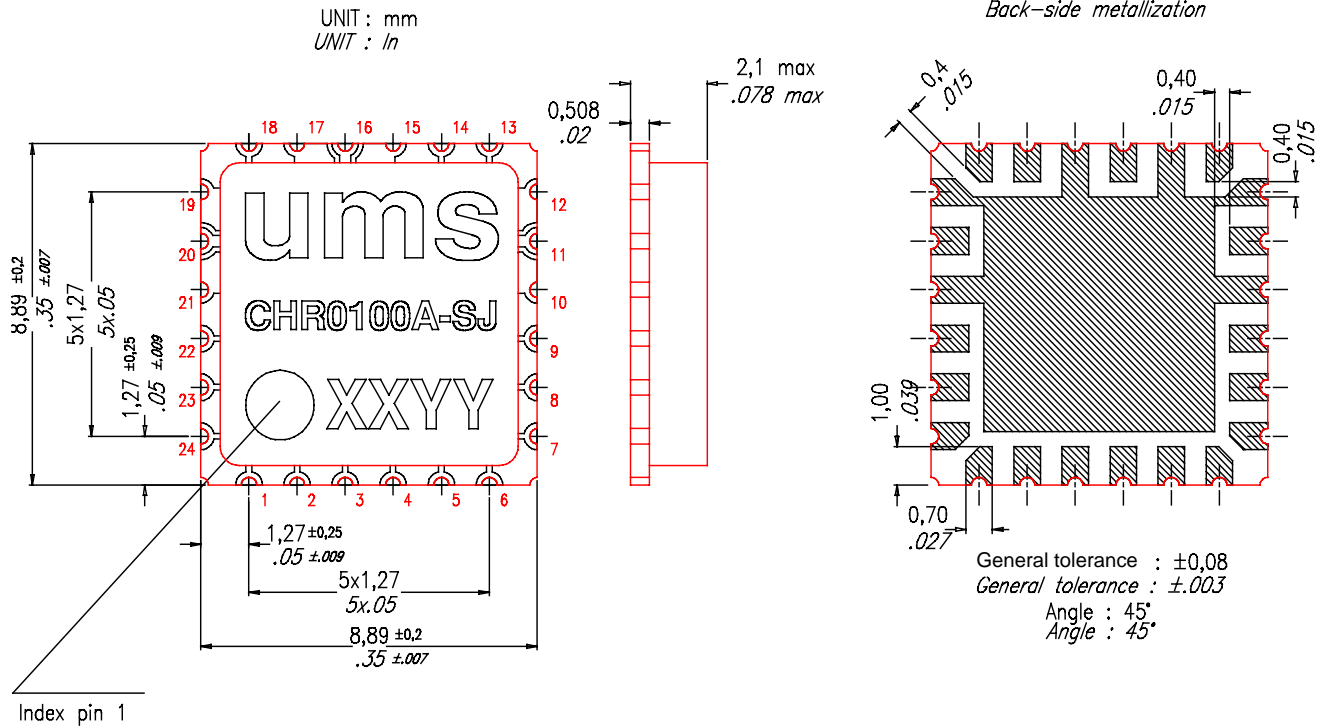


Chip Mechanical Data



Chip size $1770 \pm 20 \mu m \times 1370 \pm 20 \mu m$

Chip thickness $100 \pm 10 \mu m$



Package Pin Allocation (SJ)

Pin	Number	Description
RF	20	RF signal input
LO	11	LO signal input
VgI	7	I mixer negative supply voltage
VgQ	6	Q mixer negative supply voltage
Vd	1	Positive supply voltage
I	4	First IF output
Q	3	Second IF output (in quadrature)
	10,12,15,17, 19,21	GROUND
	2,5,8,9,13,14, 16,18,22,23,24	Not connected

Ordering Information

Chip form : CHR0100a99F/00

Package : CHR0100aSJM/24

Information furnished is believed to be accurate and reliable. However **United Monolithic Semiconductors S.A.S.** assumes no responsibility for the consequences of use of such information nor for any infringement of patents or other rights of third parties which may result from its use. No license is granted by implication or otherwise under any patent or patent rights of **United Monolithic Semiconductors S.A.S.** Specifications mentioned in this publication are subject to change without notice. This publication supersedes and replaces all information previously supplied. **United Monolithic Semiconductors S.A.S.** products are not authorised for use as critical components in life support devices or systems without express written approval from **United Monolithic Semiconductors S.A.S.**

