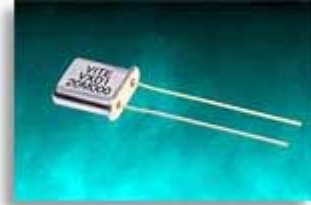


Search

VECTRON INTERNATIONAL

VXD1 UM-1



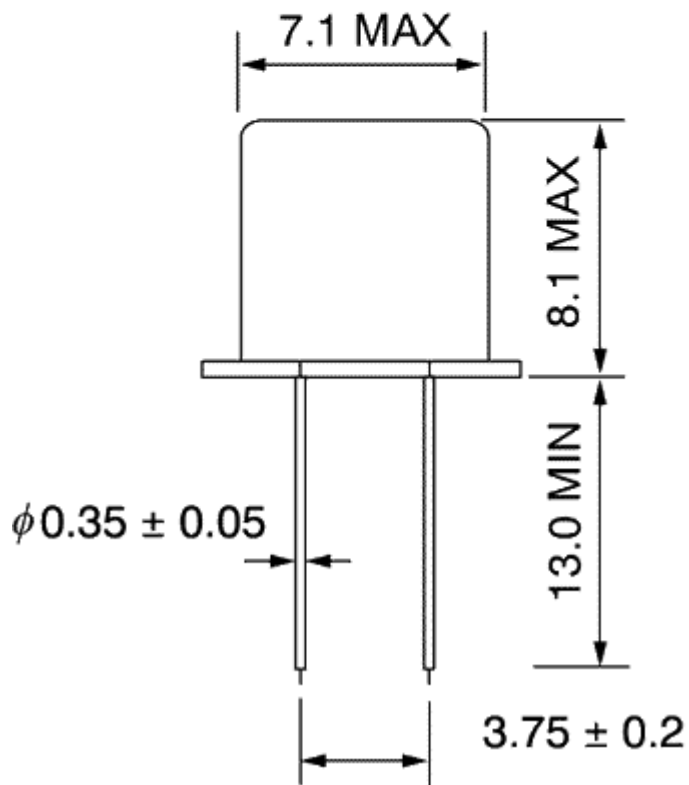
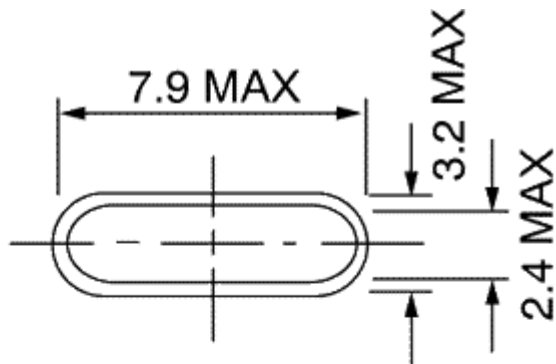
Package Options	D1 = UM-1
Frequency Range	7.0 MHz to 200.0 MHz
Standard Frequencies	See Standard Frequency Table
Mode	1 = Fundamental (7 to 50 MHz) 3 = 3 rd Overtone (30 to 120 MHz) 5 = 5 th Overtone (80 to 200 MHz)
Stability Options	A = ±100 PPM -20°C to +70°C B = ±50 PPM -20°C to +70°C C = ±100 PPM -40°C to +85°C D = ±50 PPM -40°C to +85°C E = ±25 PPM -20°C to +70°C G = ±10 PPM -20°C to +70°C
Load Capacitance	0 = Series Resonant 1 = 16 pF 2 = 20 pF 3 = 32 pF 4 = 18 pF 5 = 10 pF 6 = 30 pF
STD Calibration Tolerance	±25 PPM at +25°C Tolerances to ±10 PPM are available
Equivalent Series Resistance	7 to 16 MHz 80Ω Maximum 16 to 120 MHz 40Ω Maximum 120 to 200 MHz 100Ω Maximum
Shunt Capacitance	7 pF Maximum
Drive Level	10 to 2,000 uW
Crystal Aging	<5 ppm/1 st year
Standard Packaging	Bagged
Typical P/N	VXD1-3B0-80M000
	D1 = UM-1 package 3 = 3 rd Overtone B = ±50 PPM -20°C to +70°C

VECTRON

0 = Series Resonant

[Generate your own part number!](#)

We welcome your custom requests and will issue a custom part number for items that are not listed.



Dimensions in mm.