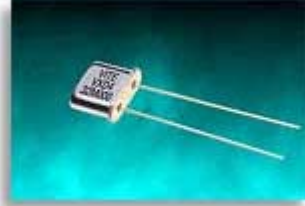


VXD4 UM-4

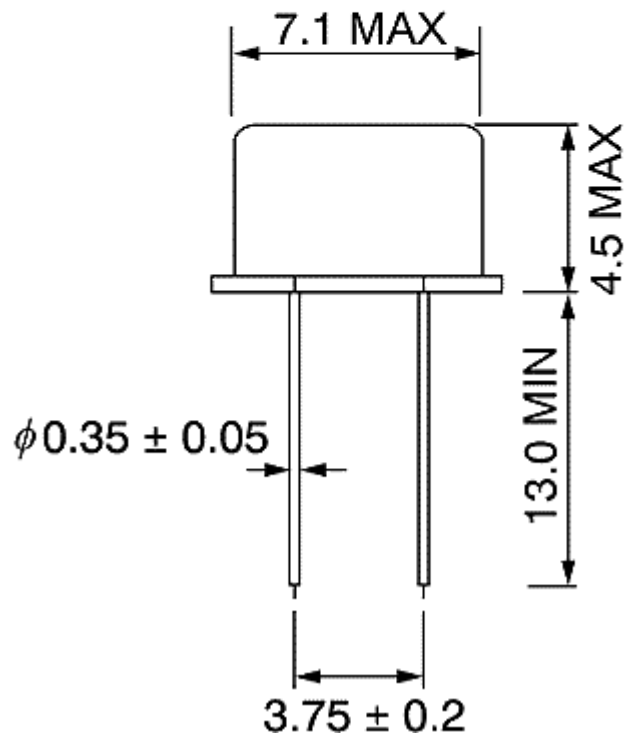
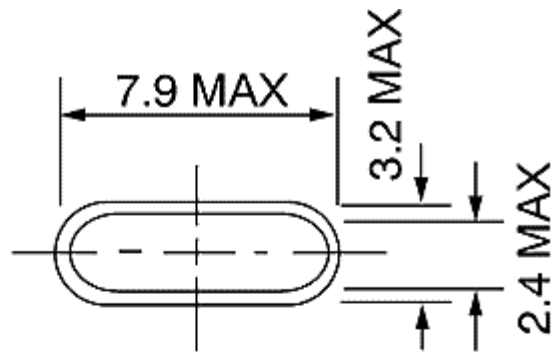
Package Options	D4 = UM-4
Frequency Range	10.0 MHz to 200.00 MHz
Standard Frequencies	See Standard Frequency Table
Mode	1 = Fundamental (10 to 55 MHz) 3 = 3 rd Overtone (40 to 160 MHz) 5 = 5 th Overtone (120 to 200 MHz)
Stability Options	A = ±100 PPM -20°C to +70°C B = ±50 PPM -20°C to +70°C C = ±100 PPM -40°C to +85°C D = ±50 PPM -40°C to +85°C E = ±25 PPM -20°C to +70°C G = ±10 PPM -20°C to +70°C
Load Capacitance	0 = Series Resonant 1 = 16 pF 2 = 20 pF 3 = 32 pF 4 = 18 pF 5 = 10 pF 6 = 30 pF
STD Calibration Tolerance	±25 PPM at +25°C Tolerances to ±10 PPM are available
Equivalent Series Resistance	10 to 55 MHz 60Ω Maximum 55 to 80 MHz 50Ω Maximum 80 to 180 MHz 80Ω Maximum 120 to 200 MHz 120Ω Maximum (5 th OT)
Shunt Capacitance	7 pF Maximum
Drive Level	10 to 2,000 uW
Crystal Aging	<5 ppm/1 st year
Standard Packaging	Bagged
Typical P/N	VXD4-5B0-125M00



D4 = UM-4 package
5 = 5th Overtone
B = ±50 PPM -20°C to +70°C
0 = Series Resonant

[Generate your own part number!](#)

We welcome your custom requests and will issue a custom part number for items that are not listed.



Dimensions in mm.