

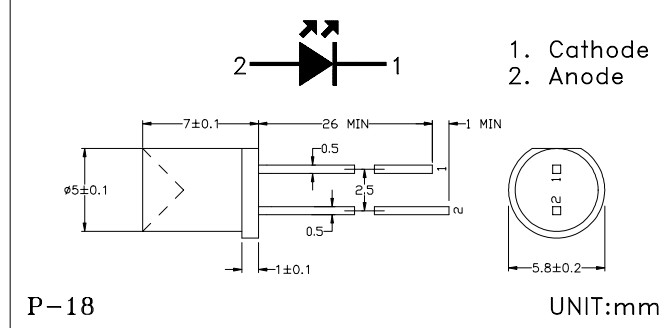
LED – Light Emitting Diode

Module No.: W05318RSC-6S

Features:

Ø5mm
 RED
 Water Clear
 Super Bright
 PIN=26mm
 Inverted Cone

Dimensions



Absolute Maximum Ratings

(Ta=25°C)

Descriptions	Symbol	Value	Unit
Continuous Forward Current	IF	30	mA
Peak Forward Current *1	IFM	35	mA
Reverse Voltage	VR	5	V
Operating Temperature	Topr	-25 ~ +65	°C
Storage Temperature	Tstg	-25 ~ +85	°C
Soldering Temperature *2	Tsol	260	°C

*1 Duty ratio = 1/10, Pulse width = 0.1ms.

*2 At the position of 2mm from the bottom face of resin package within 5 sec.

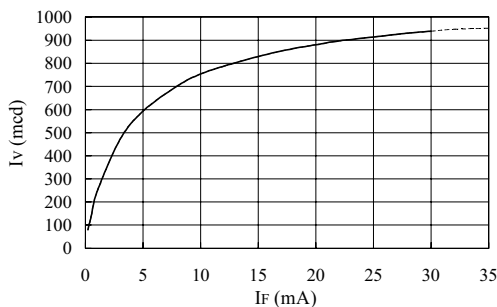
Electro-optical Characteristics

(Ta=25°C)

Descriptions	Symbol	Conditions	Min.	Typ.	Max.	Unit
Forward Voltage	V _{F1}	I _F =100μA	1.3			V
	V _{F2}	I _F =20mA		1.8	2.3	V
Luminous Intensity *3	I _v	I _F =20mA	710	880		mcd
Peak Emission Wavelength	λ _p	I _F =20mA		660		nm
Spectrum Radiation Bandwidth	Δλ	I _F =20mA		20		nm
Half Power Beam Angle	Δθ			±55		deg.
Terminal Capacitance	C _t			25		pF
Response Frequency	f _c			8		MHz

*3 Tolerance: ± 30%

Luminous Intensity vs
Forward Current



Radiation Diagram

