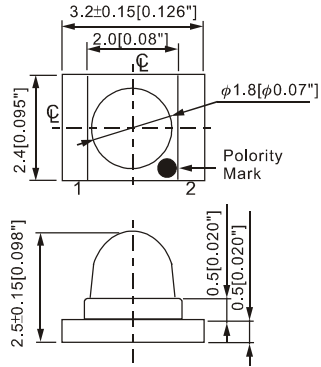




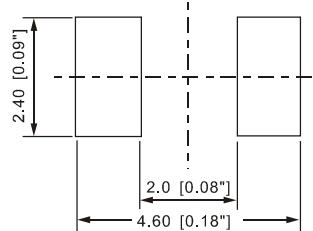
# SURFACE MOUNT LED LAMPS



## GH-S133 Series



For Reflow Soldering



NOTES: 1. All dimensions are in millimeters (inches);  
 2. Tolerances are  $\pm 0.1\text{mm}$  (0.004 inch) unless otherwise noted;  
 3. Resin color: water clear.

### Absolute Maximum Ratings

|      | UNIT | SPEC.      |
|------|------|------------|
| IF   | mA   | 30         |
| IFP  | mA   | 120        |
| VR   | V    | 5          |
| Topr | °C   | -20 ~ +80  |
| Tstg | °C   | -20 ~ +100 |

| Part No.     | Material | Emitted Color | V <sub>r</sub> (V) |      | λ (nm)         |                | I <sub>v</sub> (mcd) |
|--------------|----------|---------------|--------------------|------|----------------|----------------|----------------------|
|              |          |               | Typ.               | Max. | λ <sub>d</sub> | λ <sub>p</sub> | Typ.                 |
| RSS133TR-DPG | AlGaInP  | Red           | 1.90               | 2.40 | 631            | 640            | 416                  |
| OLS133TR-DPG | AlGaInP  | Orange        | 1.90               | 2.40 | 624            | 635            | 536                  |
| ALS133TR-DPG | AlGaInP  | Amber         | 1.90               | 2.40 | 595            | 600            | 600                  |
| YVS133TR-DPE | AlGaInP  | Yellow        | 2.00               | 2.50 | 593            | 595            | 456                  |
| GBS133TR-DPG | AlGaInP  | Green         | 2.10               | 2.60 | 578            | 575            | 296                  |
| GES133TR-IPG | InGaN    | Green         | 3.20               | 3.80 | 527            | 525            | 960                  |
| BJS133TR-JPH | GaInN    | Blue          | 3.40               | 4.00 | 465            | 460            | 288                  |
| BVS133TR-EPC | GaN/SiC  | Blue          | 4.00               | 4.50 | 465            | 430            | 64                   |